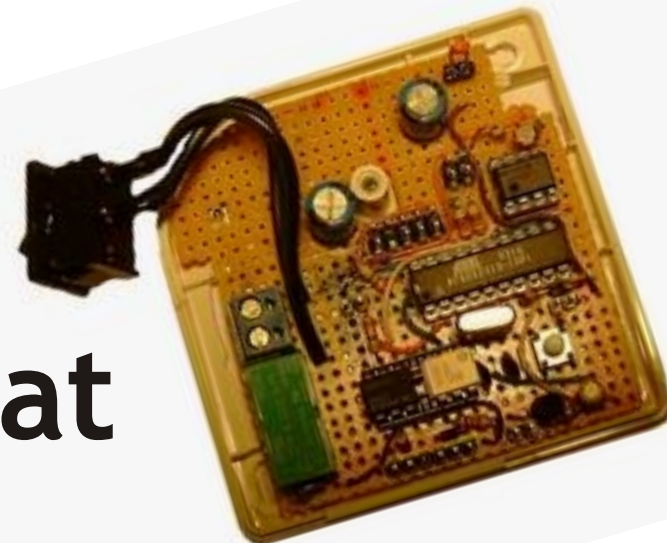
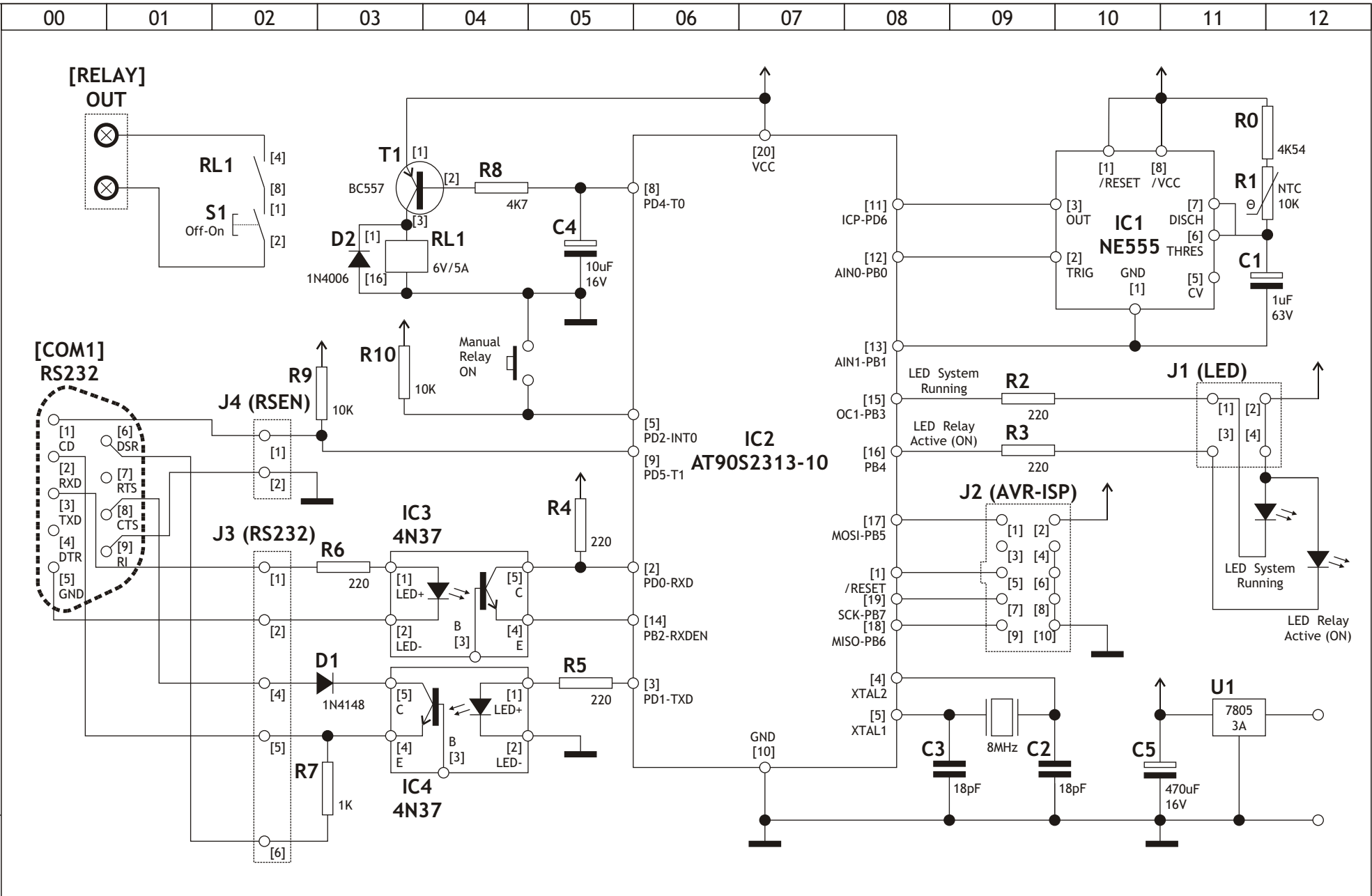


# Digital Thermostat High Accuracy -6.00 / 46.00 °C



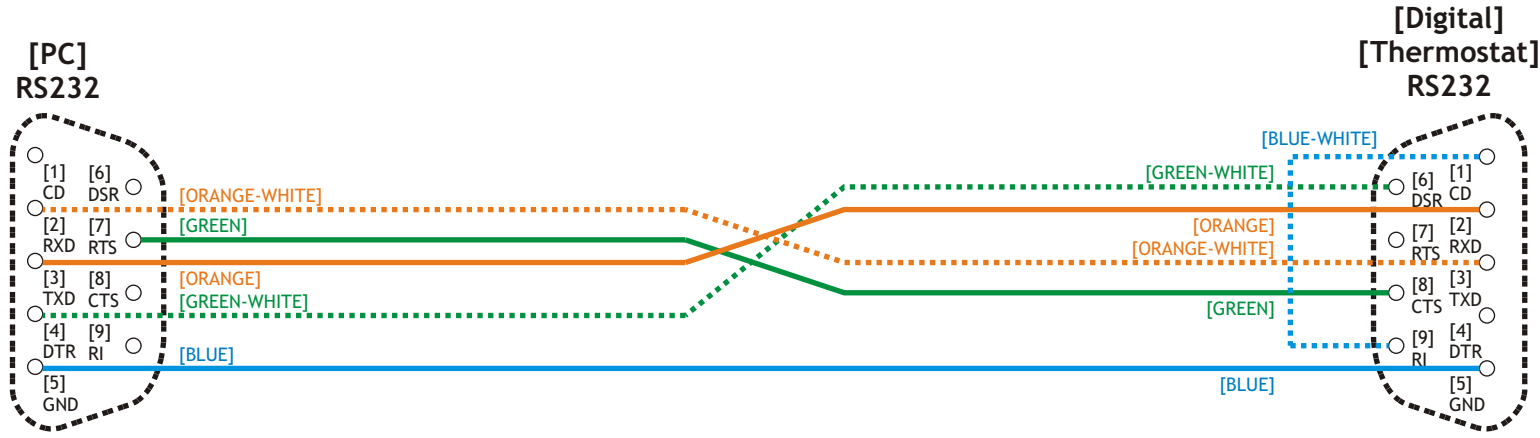
**[Guaranteed accuracy up to 0.05 °C]**

A/A	Date	Remarks	Digital Thermostat High Accuracy	GREECE - Thessaloniki			
1.	-	-	AT90S2313	S/N	DRW 17.01.2004/DigTherm	Sheet No	<b>1L1</b>
2.	-	-		Author	Bitoulis Spyridon	Next Sheet	<b>1L2</b>



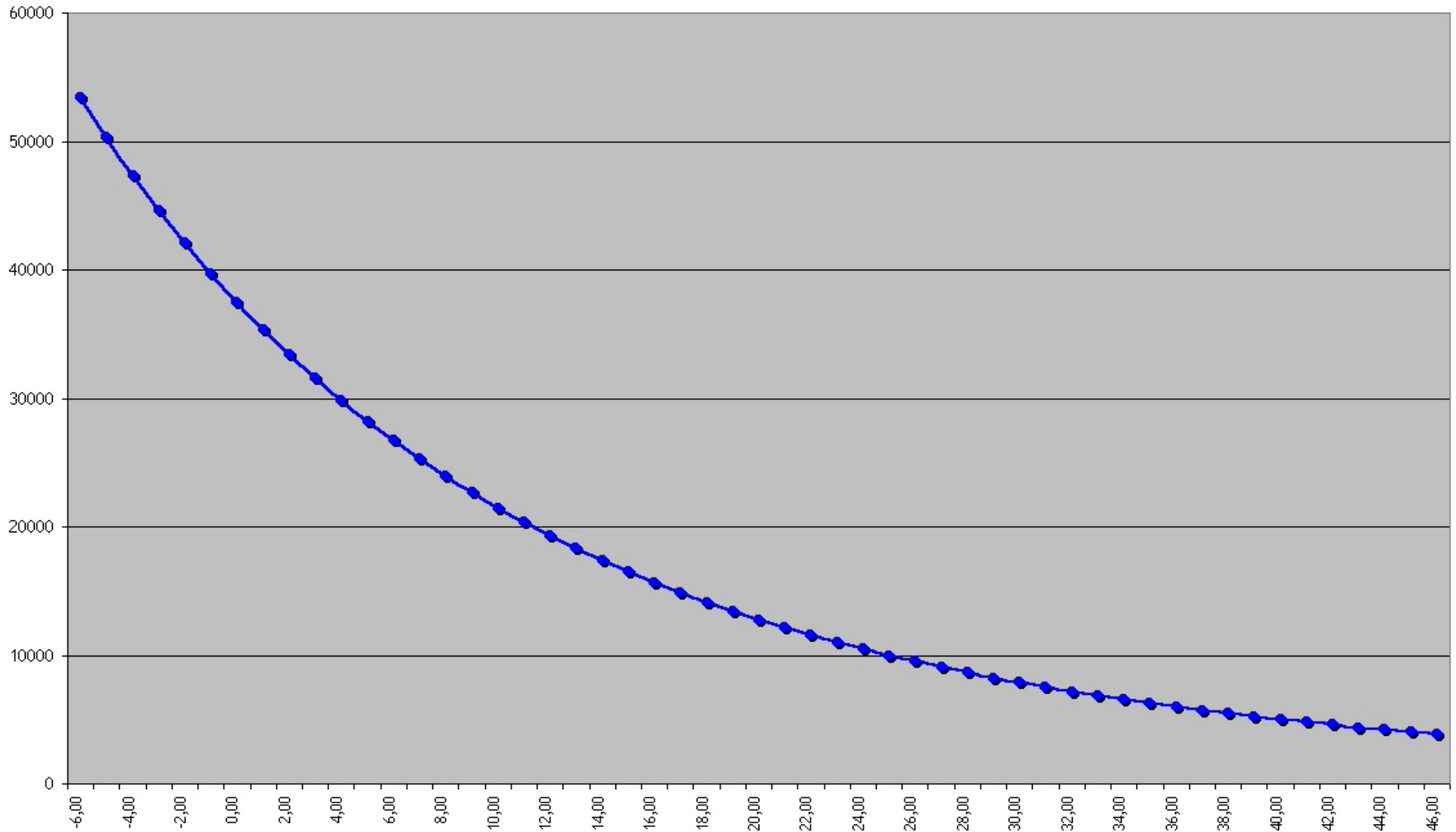
A/A	Date	Remarks	Digital Thermostat High Accuracy	GREECE - Thessaloniki		
1.	-	-	AT90S2313	S/N	DRW 17.01.2004/DigTherm	Sheet No <b>1L2</b>
2.	-	-		Author	Bitoulis Spyridon	Next Sheet <b>1L3</b>

00    01    02    03    04    05    06    07    08    09    10    11    12



A/A	Date	Remarks	Digital Thermostat High Accuracy	GREECE - Thessaloniki		
1.	-	-	Communication between PC and Digital Thermostat	S/N	DRW 17.01.2004/DigTherm	Sheet No <b>1L3</b>
2.	-	-		Author	Bitoulis Spyridon	Next Sheet <b>1L4</b>

## NTC Thermistor Curve



A/A	Date	Remarks	Digital Thermostat High Accuracy	<b>GREECE - Thessaloniki</b>		
1.	-	-	NTC Thermistor Curve from -6,00 / 46,00 Celsius	S/N	DRW 17.01.2004/DigTherm	Sheet No <b>1L4</b>
2.	-	-		Author	Bitoulis Spyridon	Next Sheet ---