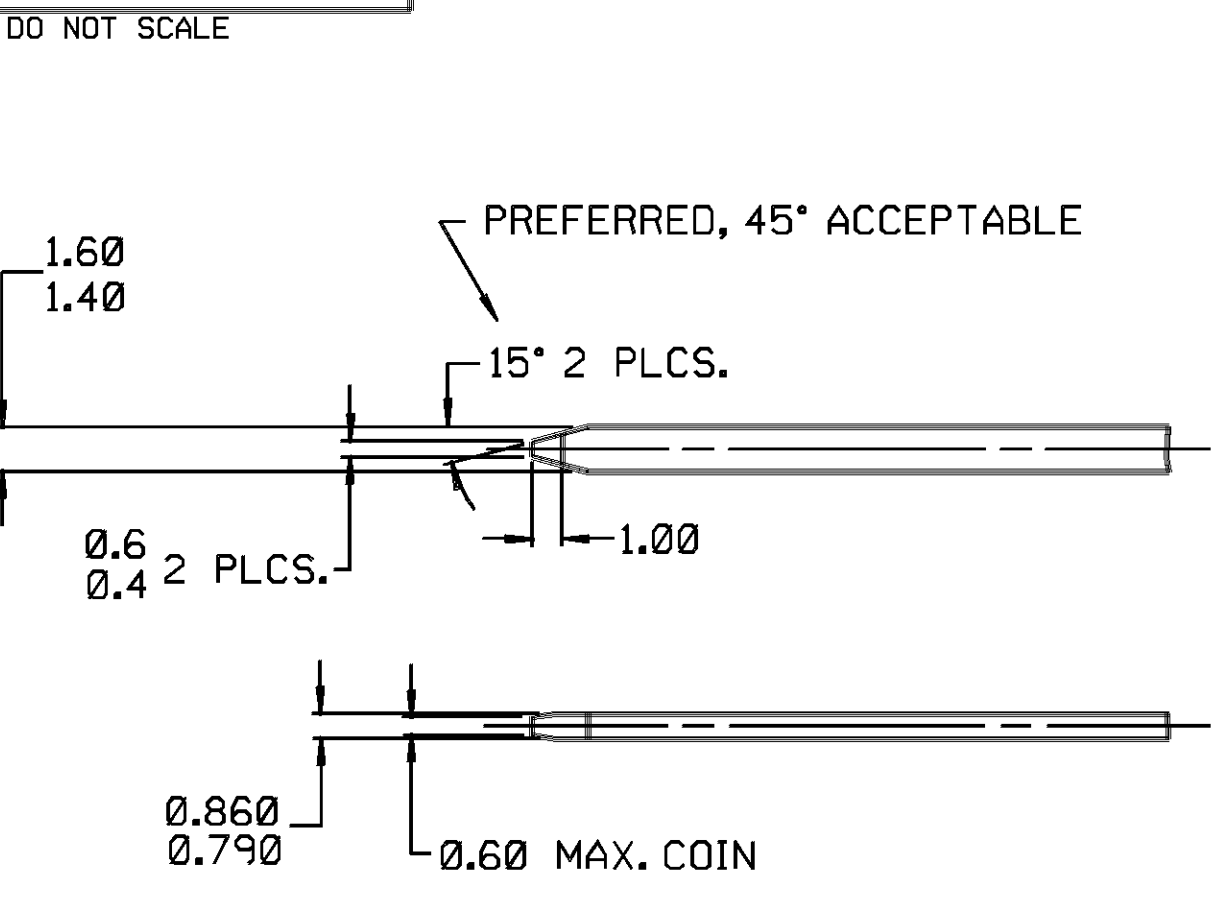


THIS DRAWING AND DESIGN HEREON CONSTITUTES A PROPRIETARY DESIGN OF PACKARD ELECTRIC DIVISION AND IS NOT TO BE DUPLICATED OR REPRODUCED WITHOUT AUTHORITY OF PACKARD ELECTRIC DIVISION.



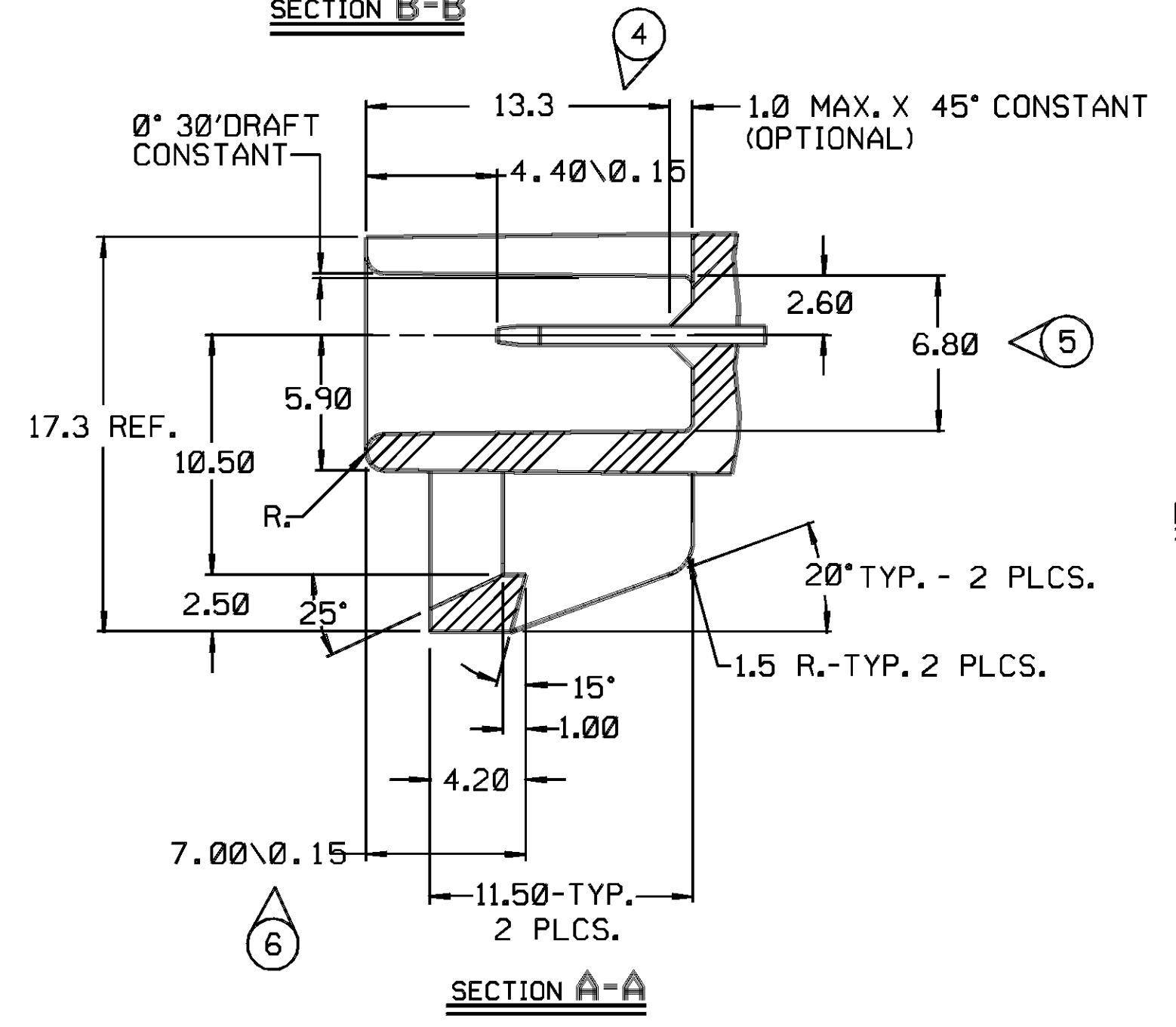
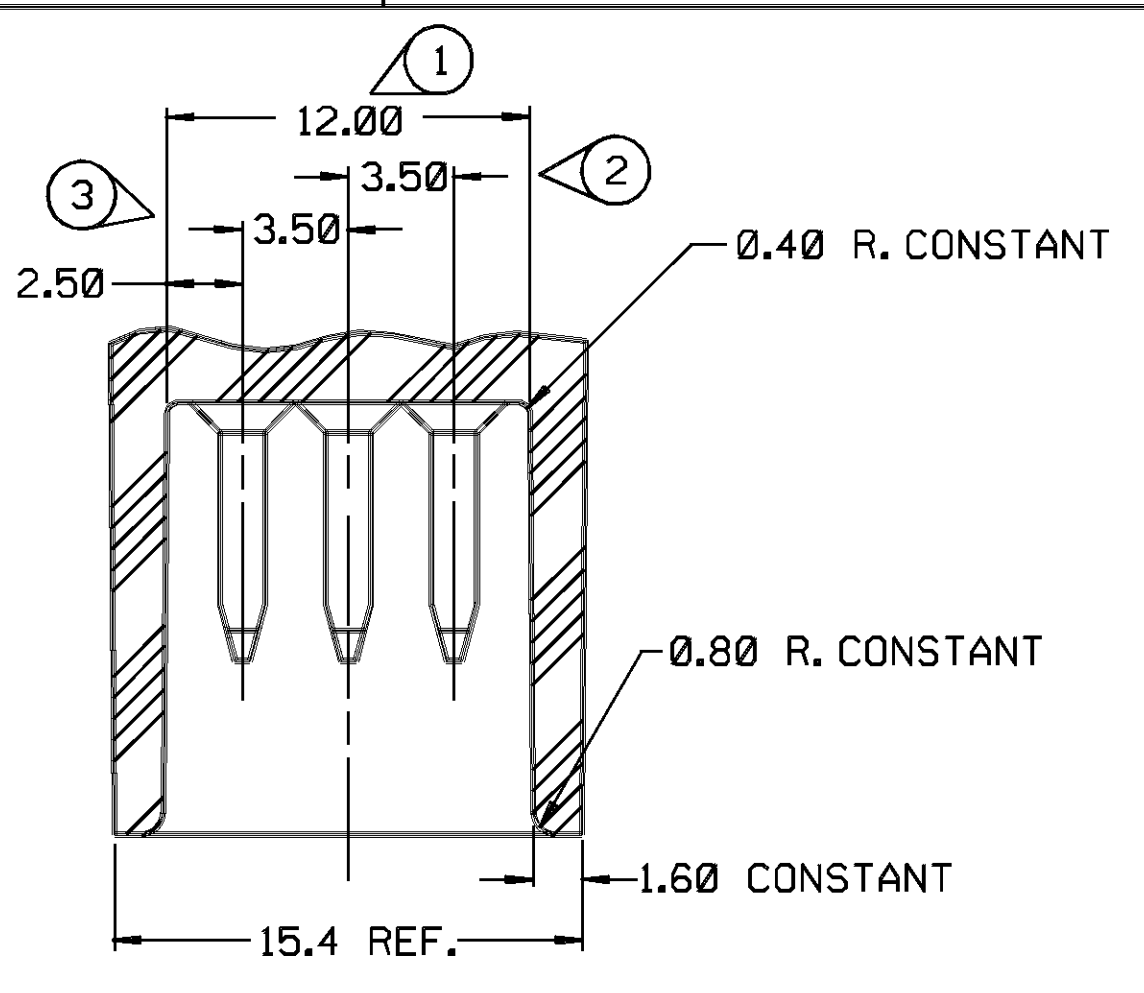
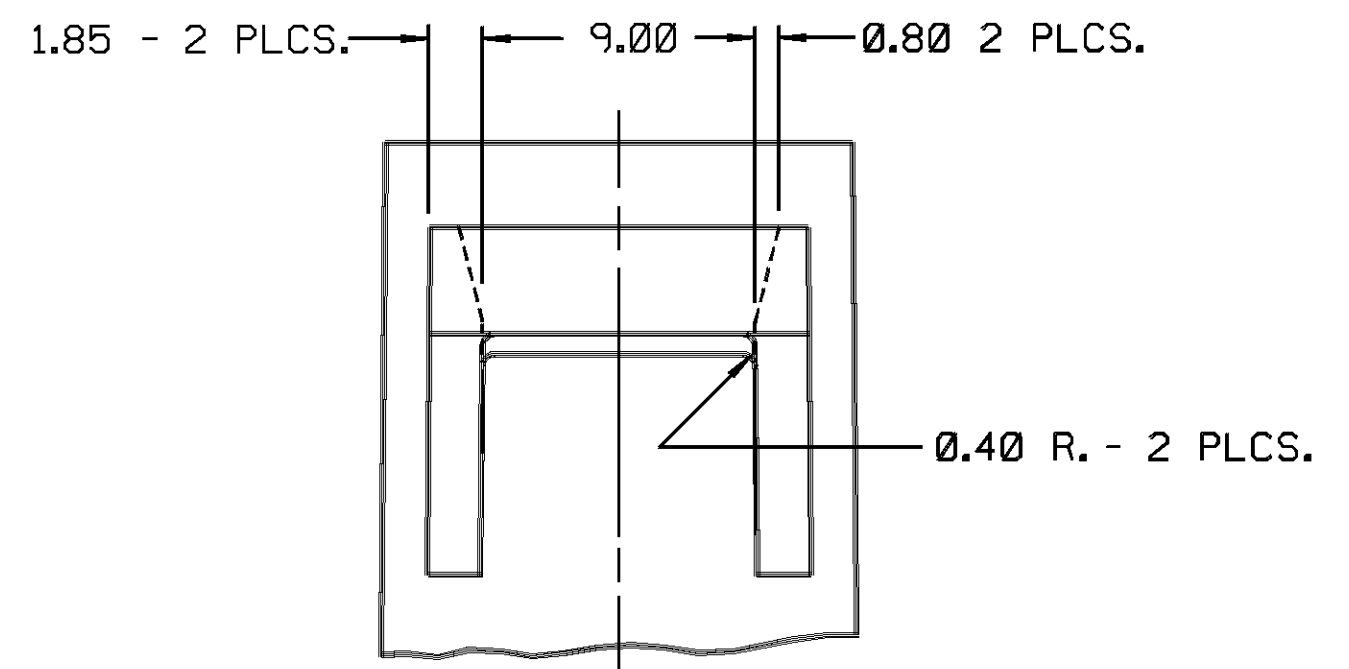
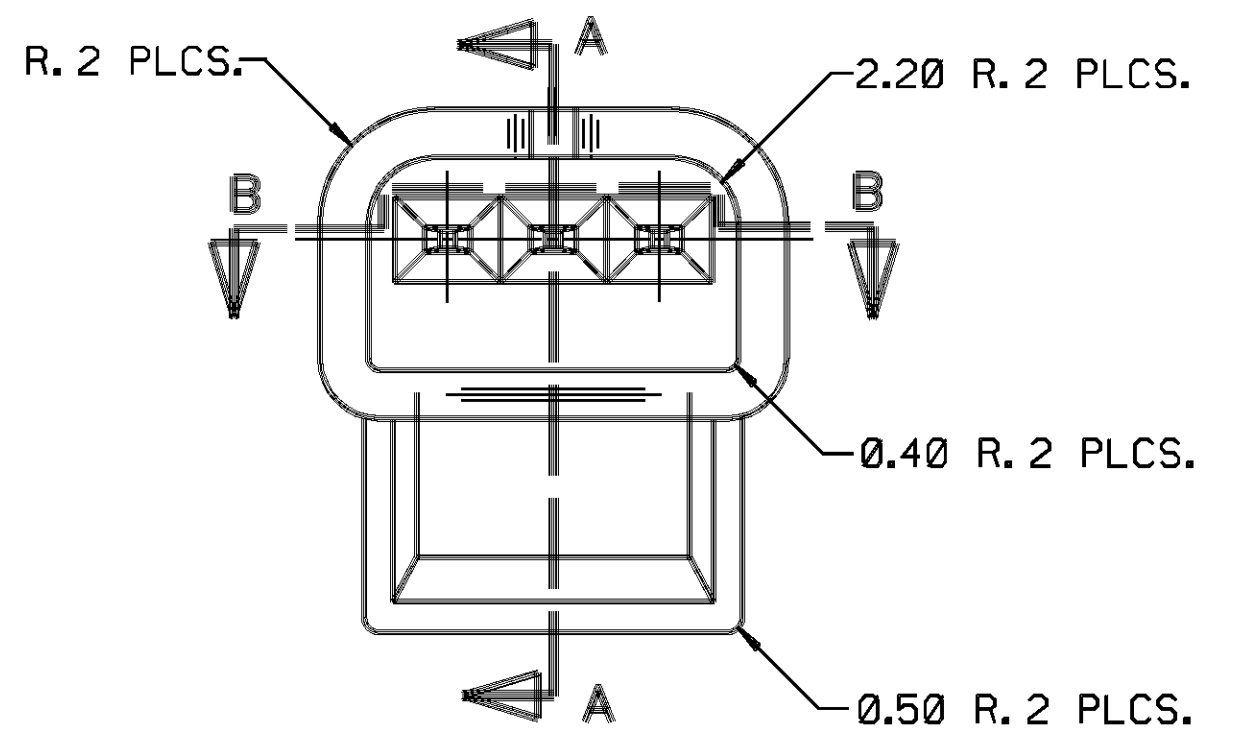
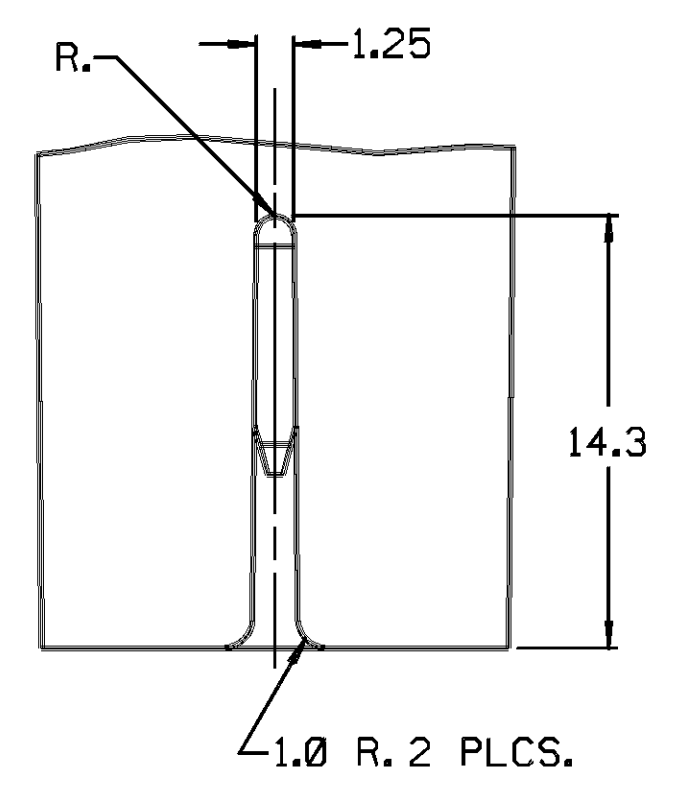
MATING TERMINAL INFORMATION

SCALE 4:1

RECOMMENDED MATERIAL: P-1546 (CA 210) - EXTRA SPRING TEMPER - TIN PLATED BRASS
 PLATING THICKNESS: 0.003-0.005 MM
 TENSILE STRENGTH: 430 MPA
 USE OF A MATERIAL WITH A CONDUCTIVITY $\leq 20\%$ IACS AT 68°F SHOULD BE APPROVED BY PACKARD ELECTRIC.

PART NO. 1206 4758

PART NO. 1206 4758

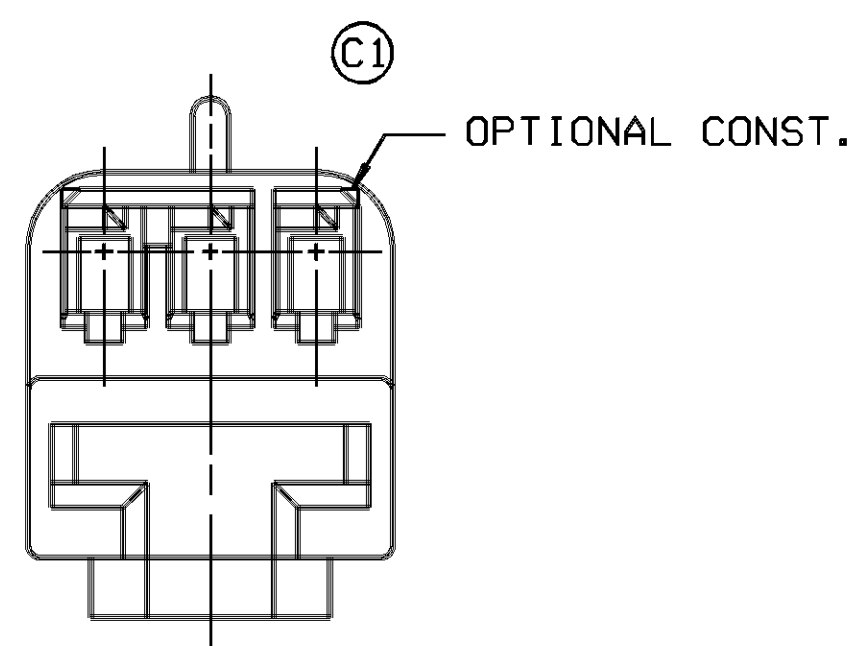
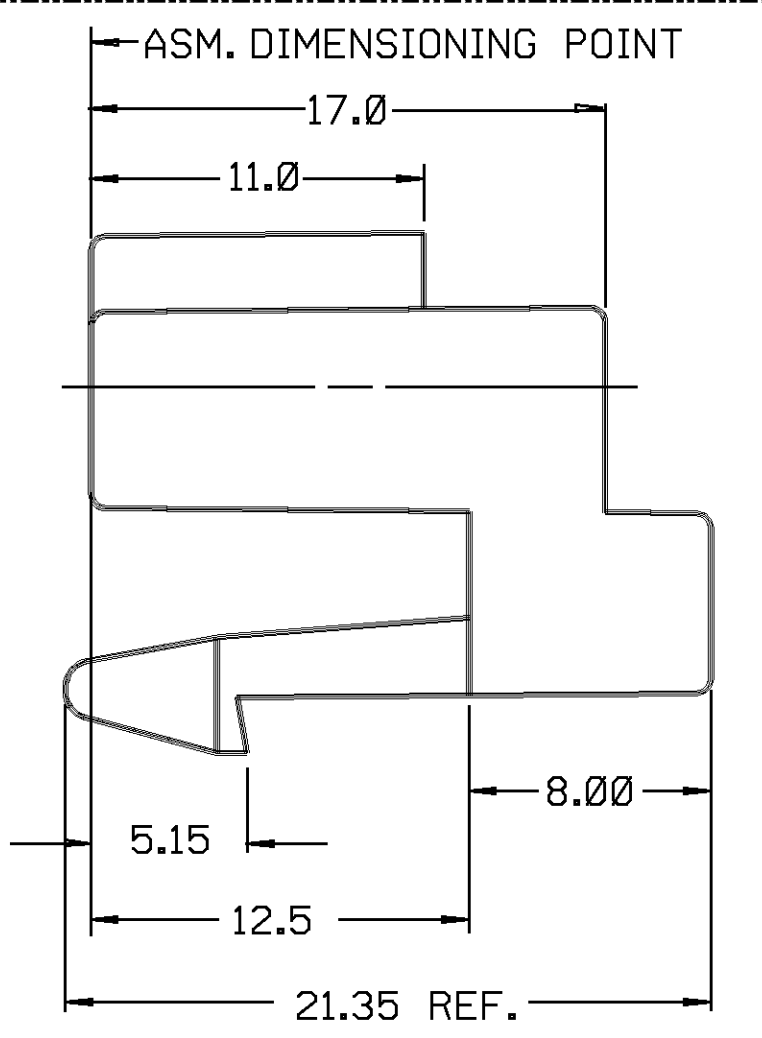
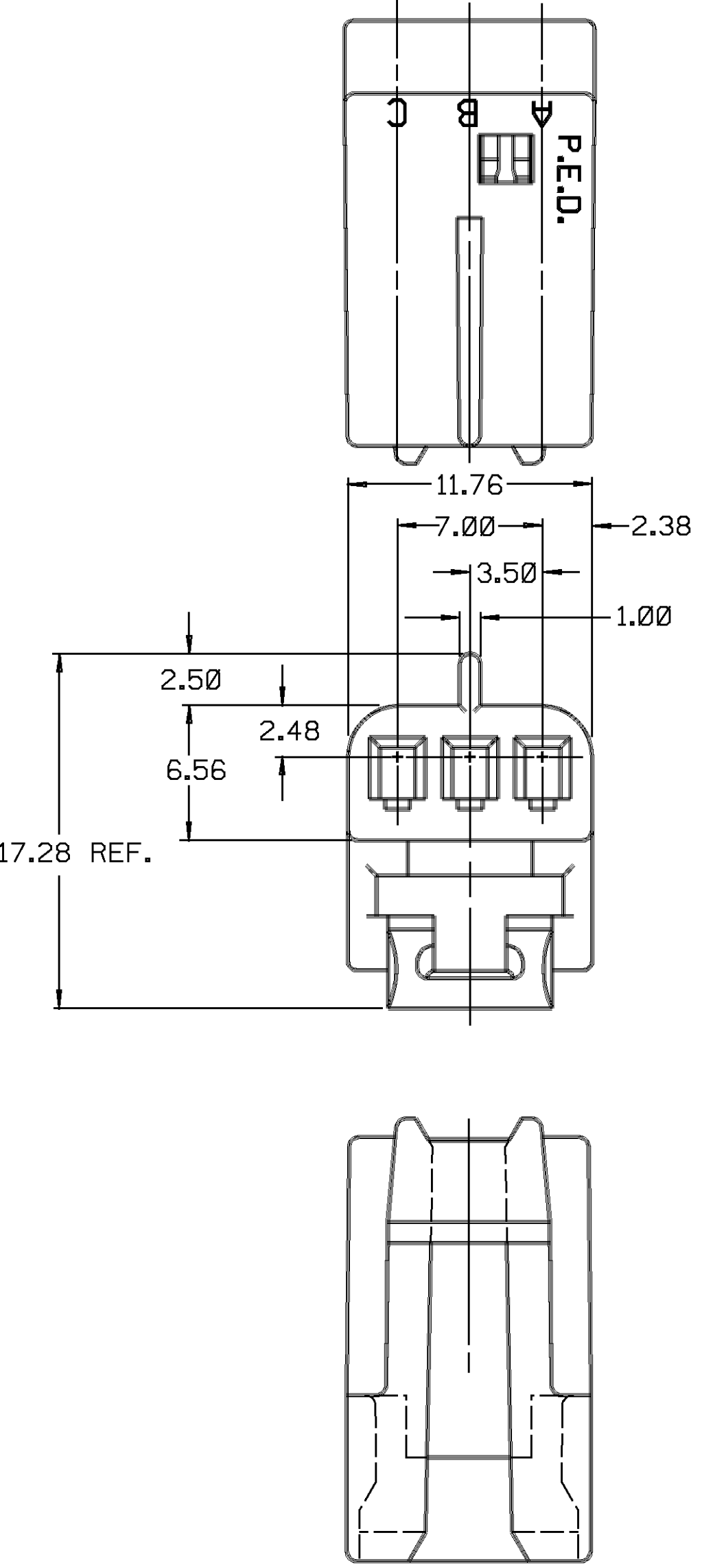


MATING CONNECTOR INFORMATION

SCALE 4:1

- NOTES**
- 0° 30' DRAFT ON ALL OUTSIDE SURFACES UNLESS OTHERWISE SPECIFIED.
 - DIMENSIONS ARE TO FACE OF VIEW SHOWN, UNLESS OTHERWISE SPECIFIED.
 - ALL RADII 0.50, UNLESS OTHERWISE SPECIFIED.
 - TERMINAL MUST WITHSTAND A MINIMUM PUSHOUT FORCE OF 89N (20LBS.)
 - 'O' DENOTES DIMENSIONS AND CHARACTERISTICS THAT ARE IMPORTANT TO THE FUNCTION AND/OR PROCESSING OF THE PART. IT DOES NOT NECESSARILY INDICATE AN SPC DIMENSION. THIS DRAWING HAS 6 SNOWCONES.

RECOMMENDED MATERIAL: GLASS REINFORCED NYLON OR POLYESTER.



- NOTES**
- CAVITIES TO ACCEPT 12047883 TERMINAL OR EQUIVALENT.
 - CONNECTOR TO ACCEPT 12047783 SECONDARY TERMINAL LOCK OR EQUIVALENT.
 - CONNECTOR TO ACCEPT 12052834 POSITION ASSURANCE LOCK OR EQUIVALENT.
 - MATING CONNECTOR 12064759 OR EQUIVALENT.
 - THIS CONNECTOR WILL PASS THROUGH A 19.0 DIA. MIN. HOLE.
 - THIS CONNECTOR LIMITED TO A MAX. INSULATION CRIMP OF 2.30 HIGH X 2.70 WIDE.
 - DIMENSIONS ARE TO FACE OF VIEW SHOWN UNLESS OTHERWISE INDICATED.
 - MATERIAL AND COLOR: IM HS NYLON 66 - BLACK

DATE	SYM	REVISION RECORD	AUTHORITY	DR	CK
08SE87	-	REDRAWN FROM 'C' SIZE AND ADDED MATING TERMINAL AND CONNECTOR INFORMATION			
06JL87	B1	REV. LEVEL REMAINS AT 'B' ADDED SNOWCONES 1-6 & NOTE 5 IN MATING CONNECTOR INFORMATION	111340	RP	JC
26AP91	C	REVISED NOTE #8	141388	JK	FH
06SE91	C1	REVISED CABLE END	144257	TLW	TLW

PIED/NIRGRAPH MICROSTATION THIRD ANGLE PROJECTION		FILE SPEC: ****USER**** DGN#SPECIFICATION***** *****SYTIME*****
CODE NO. 6900 G.C. DWG. DATE: 14JN85 EST. NO. REFERENCE NO. 12064758 'E SIZ MATERIAL SPEC.		METRIC DIMENSIONS ARE IN MILLIMETERS UNLESS OTHERWISE SPECIFIED. TOLERANCE UNLESS OTHERWISE SPECIFIED DECIMAL: ONE PLACE ± 0.2 TWO PLACE ± 0.10 ANGULAR ± 2° DR. R. Perrin 08SE87 CK. J. COLDSNOW DATE 16SE87 APPR. S.A. NORLING DATE 06OC87 APPR. R.A. PETROSKY DATE 06OC87 SEE DRAWING NAME: CONN 3F M/P 150 PART NO. 1206 4758 SIZE: OUTLINE DRAWING

PACKARD ELECTRIC DIVISION
 GENERAL MOTORS CORPORATION
 WARREN, OHIO

20A
 197-A
 2-P-C/N