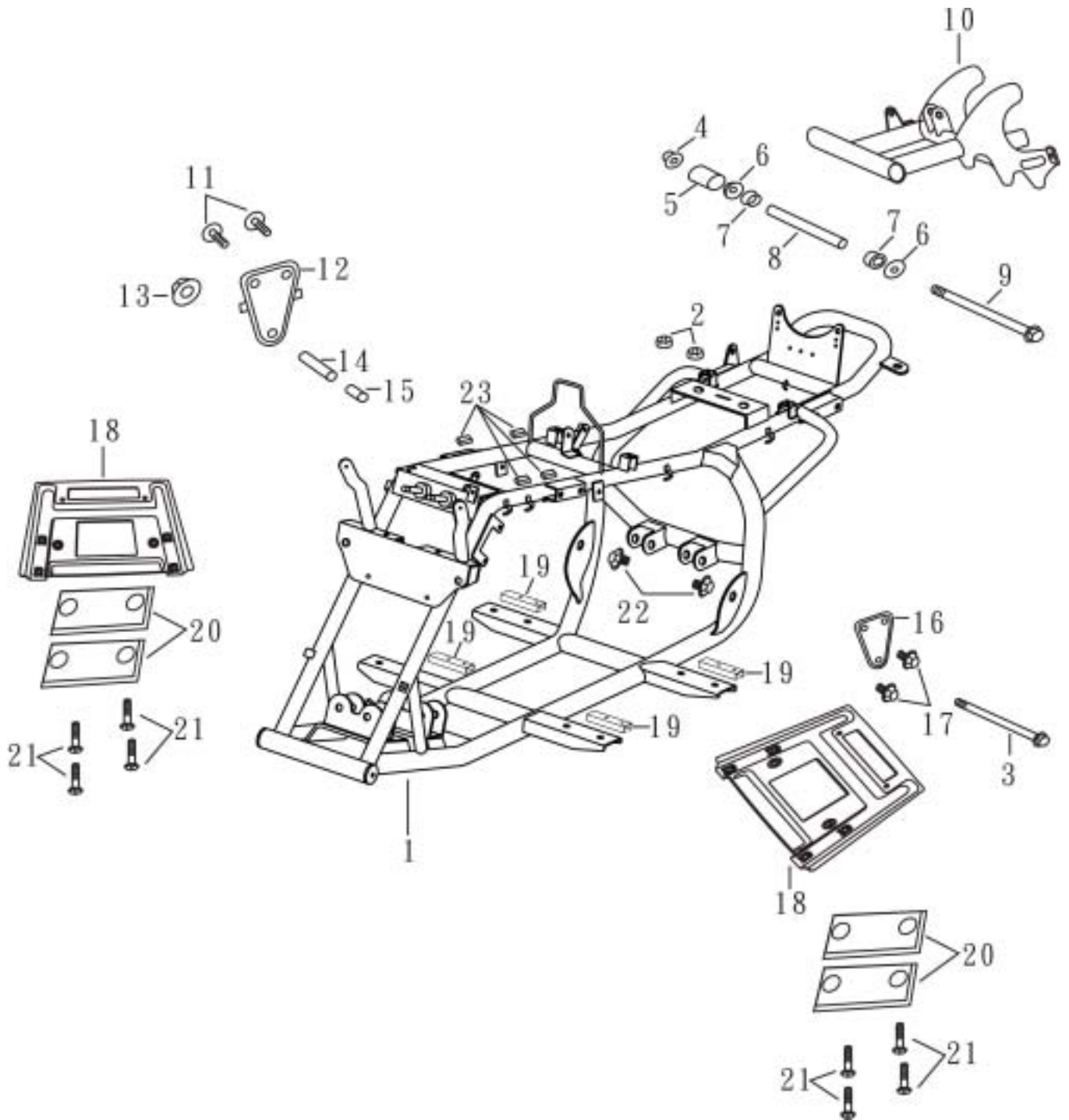


A1

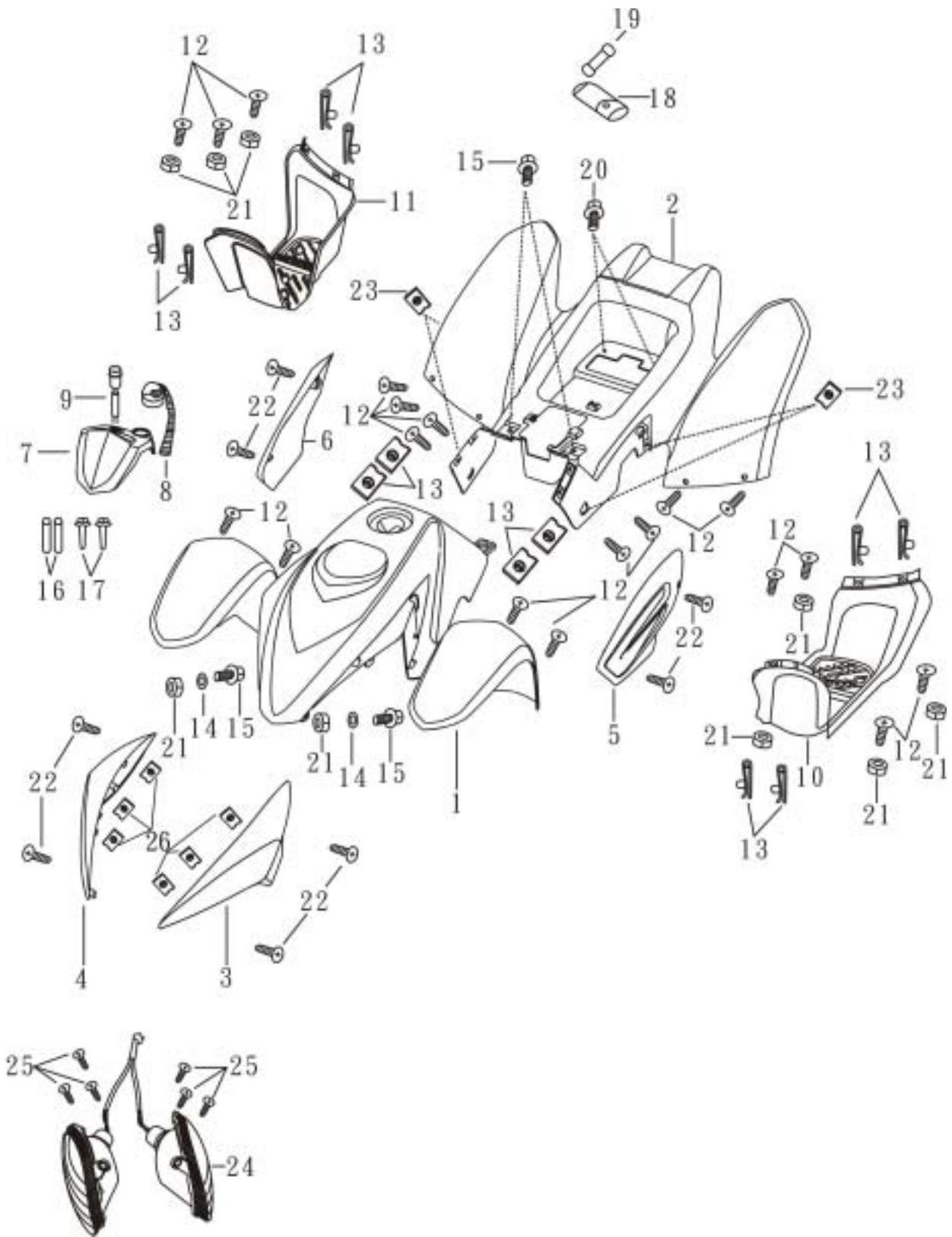
FRAME BODY

50CC



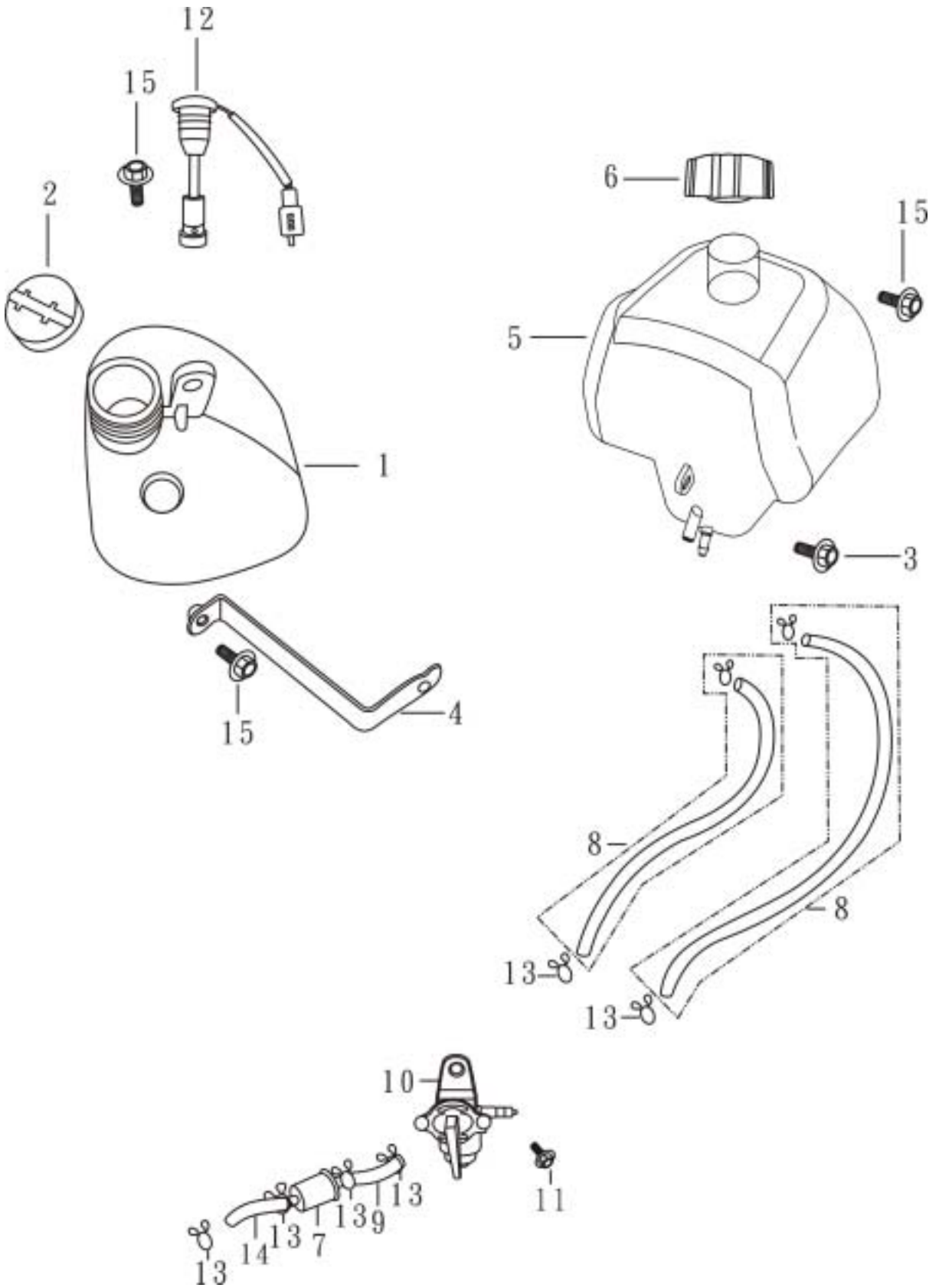
A1	FRAME BODY	50CC
-----------	-------------------	-------------

ITEM	PARTS NO.	DESCRIPTION	REQD. NO.	MAINTENANCE HOUR	SELLING PRICE
1	A1A-51110-00-00	FRAME COMP.	1		
2	A1A-52146-00-00	RUBBER	2		
3	A1A-53511-00-00	FR. WHEEL AXLE	1		
4	94061-14000-01	FLANGE U NUT 14MM	1		
5	A1A-58175-00-00	RUBBER SLEEVE	1		
6	A1A-58165-00-00	REAR FORK SEAL COVER	2		
7	A1A-58155-00-00	BUSHING CONTAIN OIL	2		
8	A1A-58151-00-00	REAR FORK SPACER SLEEVE	1		
9	A1A-58161-00-00	REAR FORK SET BOLT	1		
10	A1A-58110-00-00	REAR FORK COMP	1		
11	95800-08020-02	FLANGE BOLT 8X20	2		
12	A1A-52143-00-00	E/G HANGER BRKT,2	1		
13	94061-12000-03	FLANGE U NUT 12MM	1		
14	A1A-58644-00-00	CORE TUBE 17X13X102	1		
15	A1A-58645-00-00	CORE TUBE 22X13X21	1		
16	A1A-52142-00-00	E/G HANGER BRKT,1	1		
17	95800-08014-02	FLANGE BOLT 8X14	2		
18	A1A-52144-00-00	FOOT REST	2		
19	A1A-52157-00-00	DAMPER,2	4		
20	A1A-52159-00-00	DAMPER,4	4		
21	95800-08016-02	FLANGE BOLT 8X16	8		
22	95701-08036-02	HEXAGON FLANGE BOLT 8X36	2		
23	A1A-52156-00-00	DAMPER,1	6		



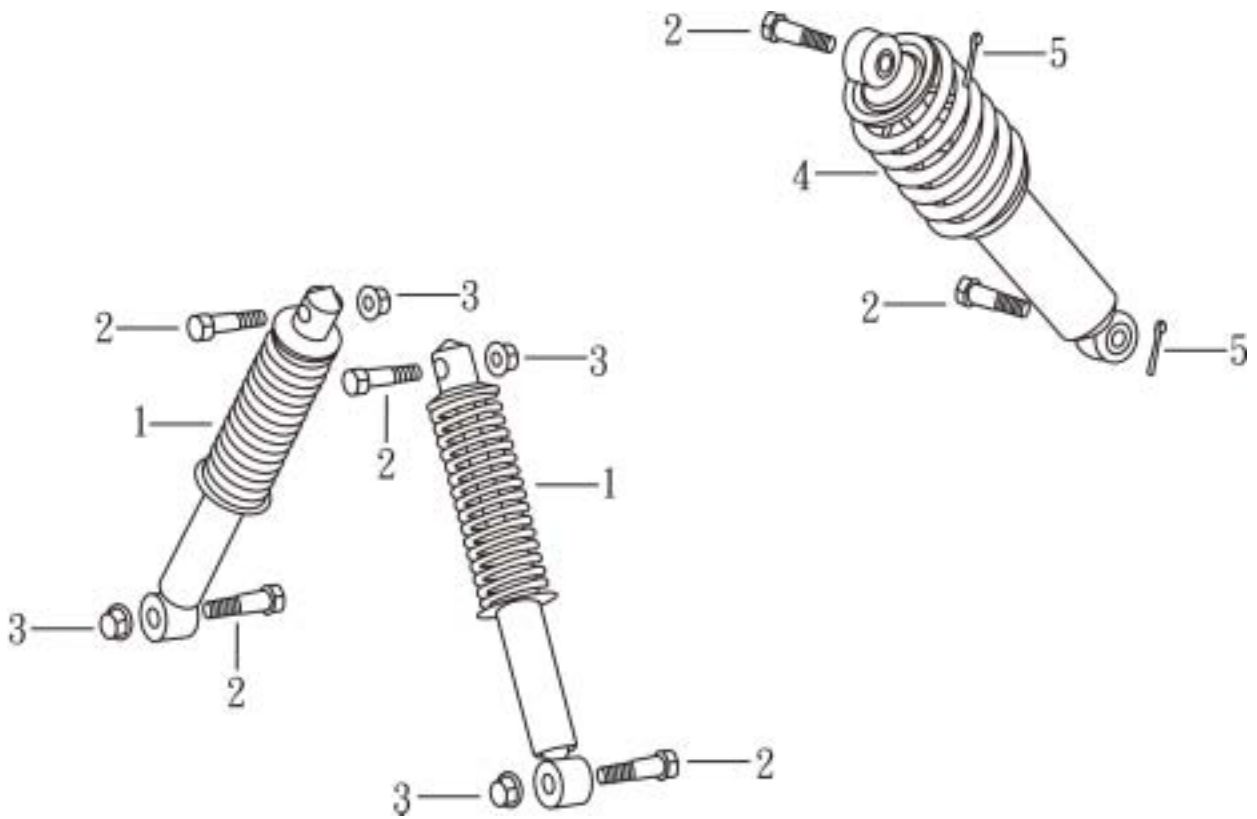
A2	SIDE COVER	50CC
-----------	-------------------	-------------

ITEM	PARTS NO.	DESCRIPTION	REQD. NO.	MAINTENANCE HOUR	SELLING PRICE
1	A1A-73511-00-00	FRONT COVER	1		
2	A1A-73521-00-00	SIDE COVER	1		
3	A1A-73531-00-00	SIDE COVER,1	1		
4	A1A-73541-00-00	SIDE COVER,2	1		
5	A1A-73551-00-00	SIDE COVER,3	1		
6	A1A-73561-00-00	SIDE COVER,4	1		
7	A1A-72311-00-00	HANDLE COVER,1	1		
8	A1A-66212-00-00	SAFETY SWITCH	1		
9	A1A-34630-00-00	OIL LIGHT ASSY.	1		
10	A1A-73411-60-00	FOOTWELL,1	1		
11	A1A-73421-60-00	FOOTWELL,2	1		
12	93530-06018-02	PAN HEAD SCREW 6X18	19		
13	A1A-73518-00-00	CLIP NUT 6MM	12		
14	94101-06193-00	PLATE WASHER 6MM	2		
15	93404-06020-03	BOLT W/WASHER 6X20	4		
16	A1A-72325-00-00	COLLAR	2		
17	95800-06048-02	FLANGE BOLT 6X48	2		
18	A1A-81110-00-00	TOOL KIT	1		
19	A1A-81113-00-00	RUBBER	1		
20	93404-06016-03	BOLT W/WASHER 6X16	2		
21	94051-06000-01	FLANGE NUT 6MM	9		
22	93900-05012-02	TAPPING SCREW 5X12	8		
23	A1A-73519-00-00	CLIP NUT 5MM	4		
24	A1A-35300-00-00	WINKER ASSY.	1		
25	93900-04012-02	TAPPING SCREW 4X12	6		
26	A1A-73537-00-00	CLIP NUT 4MM	6		



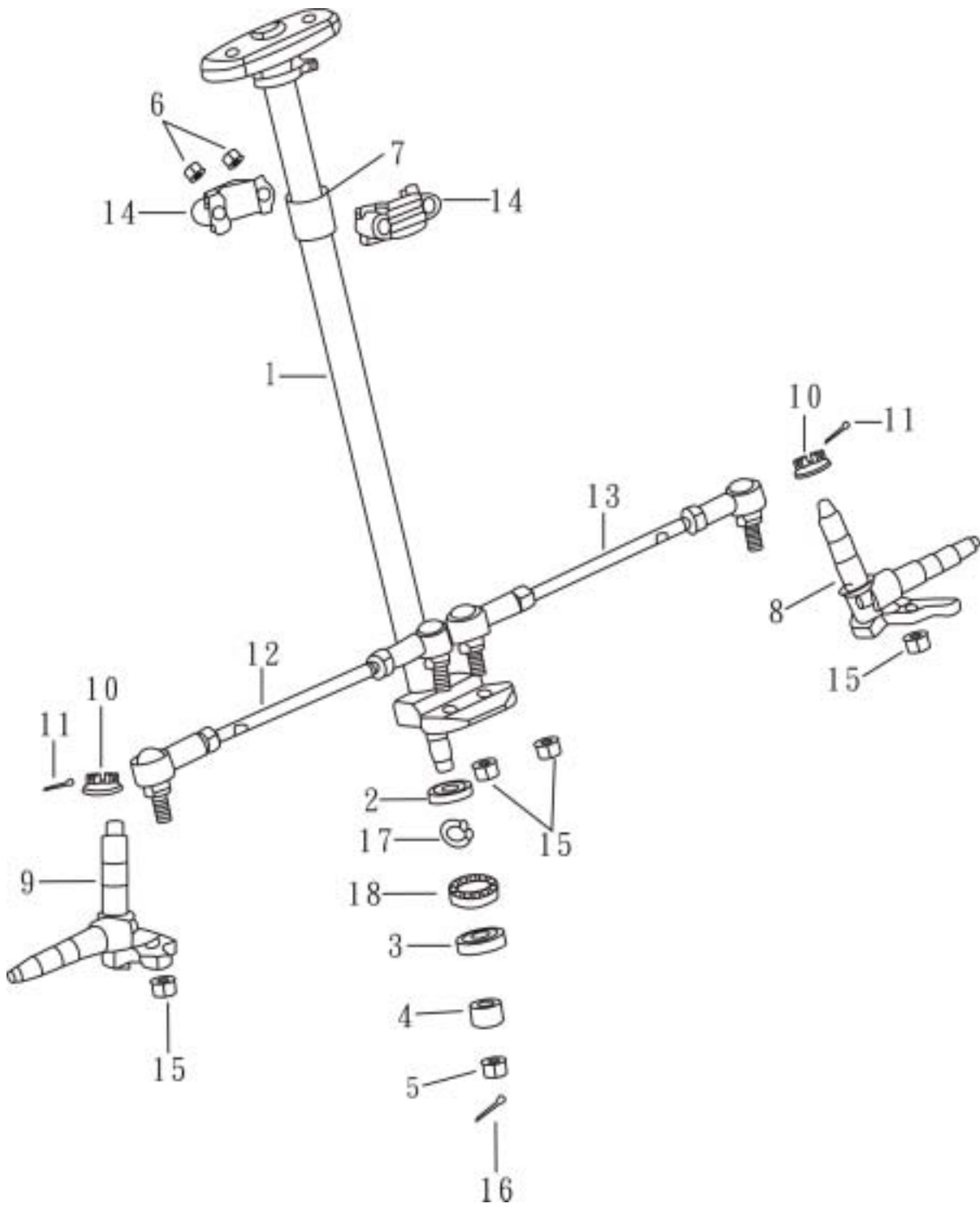
A3	OIL TANK / FUEL TANK	50CC
-----------	-----------------------------	-------------

ITEM	PARTS NO.	DESCRIPTION	REQD. NO.	MAINTENANCE HOUR	SELLING PRICE
1	A1A-63110-00-00	OIL TANK	1		
2	A1A-63131-00-00	OIL TANK CAP	1		
3	93404-06016-03	BOLT W/WASHER 6X16	1		
4	A1A-63132-00-00	OIL TANK BRKT	1		
5	A1A-62110-00-00	FUEL TANK COMP.	1		
6	A1A-62211-00-00	FUEL TANK CAP	1		
7	A1A-62410-00-00	FUEL FILTER ASSY.	1		
8	A1A-62371-00-00	FUEL HOSE,1	2		
9	A1A-62372-00-00	FUEL HOSE,2	1		
10	A1A-62310-00-00	FUEL COCK ASSY.	1		
11	95800-06012-04	FLANGE BOLT 6X12	1		
12	A1A-63510-00-00	OIL LEVER GAUGE ASSY.	1		
13	94202-12900-00	CLIP	6		
14	A1A-62373-00-00	FUEL HOSE,3	1		
15	93404-06016-03	BOLT W/WASHER 6X20	3		



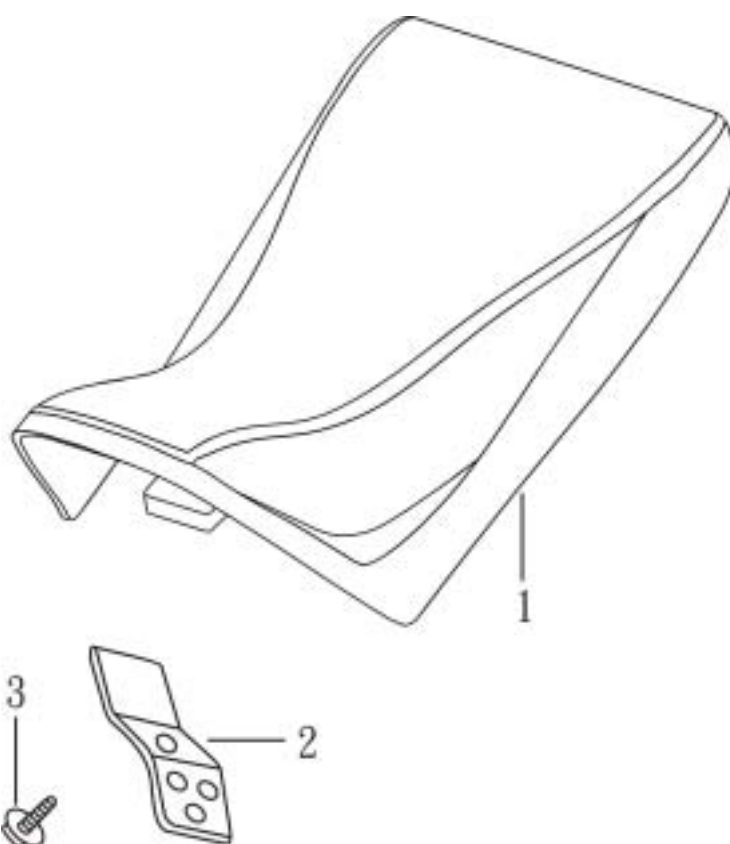
A4	SUSPENSION	50CC
-----------	-------------------	-------------

ITEM	PARTS NO.	DESCRIPTION	REQD. NO.	MAINTENANCE HOUR	SELLING PRICE
1	A1A-57210-00-00	FR.SHOCK ABSORBER ASSY.	2		
2	95827-10040-04	BOLT W/HOLE 10X40	6		
3	94061-10000-03	FLANGE U NUT 10MM	6		
4	A1A-58210-00-00	RR. SHOCK ABSORBER ASSY.	1		
5	94251-12221-00	SPLIT PIN 1.2X22	2		



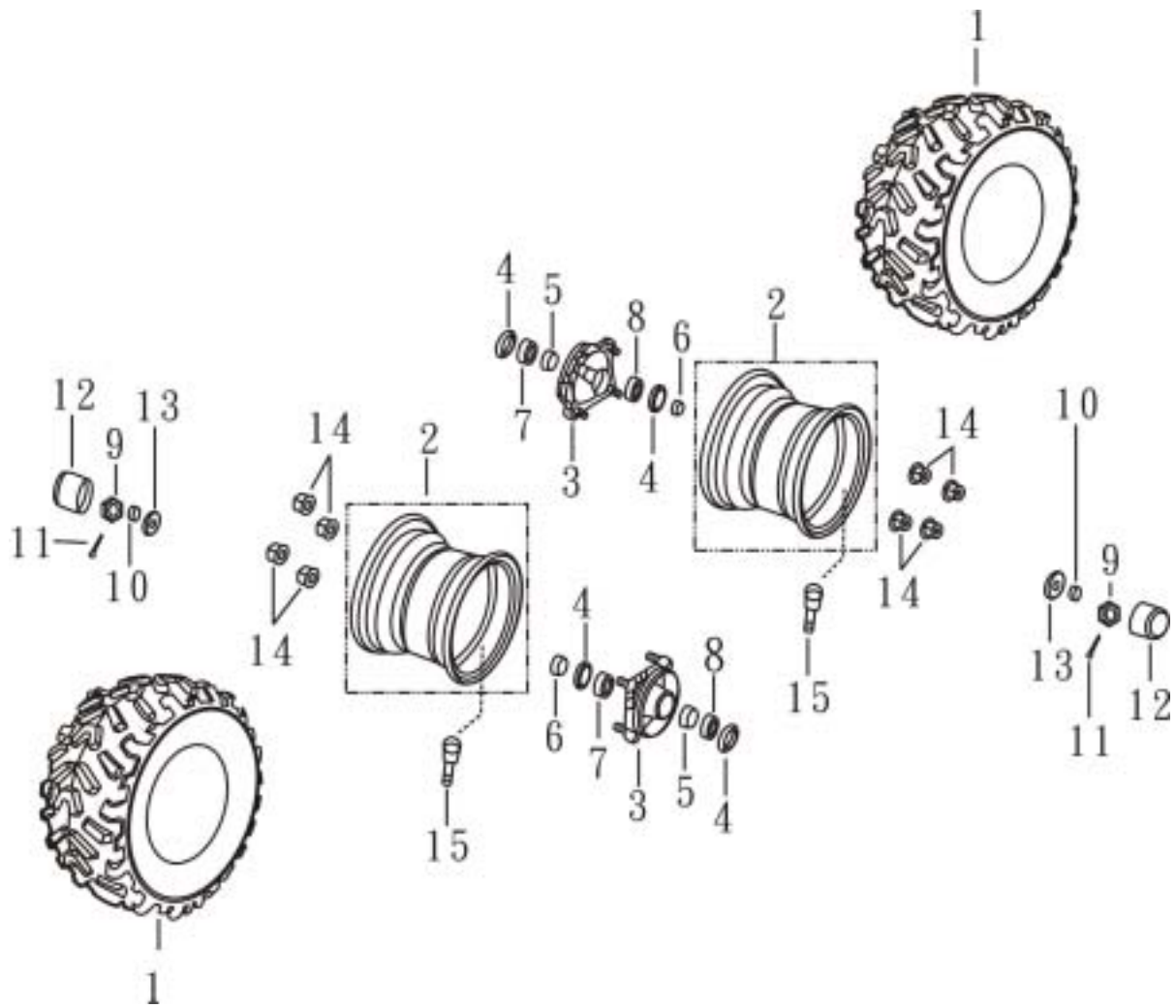
A5	STEERING	50CC
-----------	-----------------	-------------

ITEM	PARTS NO.	DESCRIPTION	REQD. NO.	MAINTENANCE HOUR	SELLING PRICE
1	A1A-72140-00-00	SHAFT STEERING	1		
2	91201-18032-70	OIL SEAL 18X32X7	1		
3	91201-22035-70	OIL SEAL 22X35X7	1		
4	A1A-55446-00-00	COLLAR	1		
5	94061-14000-01	FLANGE U NUT 14MM	1		
6	94051-08000-03	FLANGE NUT 8MM	2		
7	A1A-72158-00-00	SLEEVE	1		
8	A1A-72154-00-00	KUNCKLE,2	1		
9	A1A-72144-00-00	KNUCKLE,1	1		
10	A1A-72168-00-00	NUT 10MM	2		
11	94201-18213-03	SPLIT PIN 1.8X21.3	2		
12	A1A-72143-00-00	STEERING TIE. ROD ASSY.1	1		
13	A1A-72153-00-00	STEERING TIE. ROD ASSY,2	1		
14	A1A-72146-00-00	HOLDER, STEERING SHAFT	2		
15	94061-10000-03	FLANGE U NUT 10MM	4		
16	94251-12221-00	SPLIT PIN 1.2X22	1		
17	94521-12320-00	C CLIP	1		
18	96123-06002-20	BEARING 6002ZZ	1		



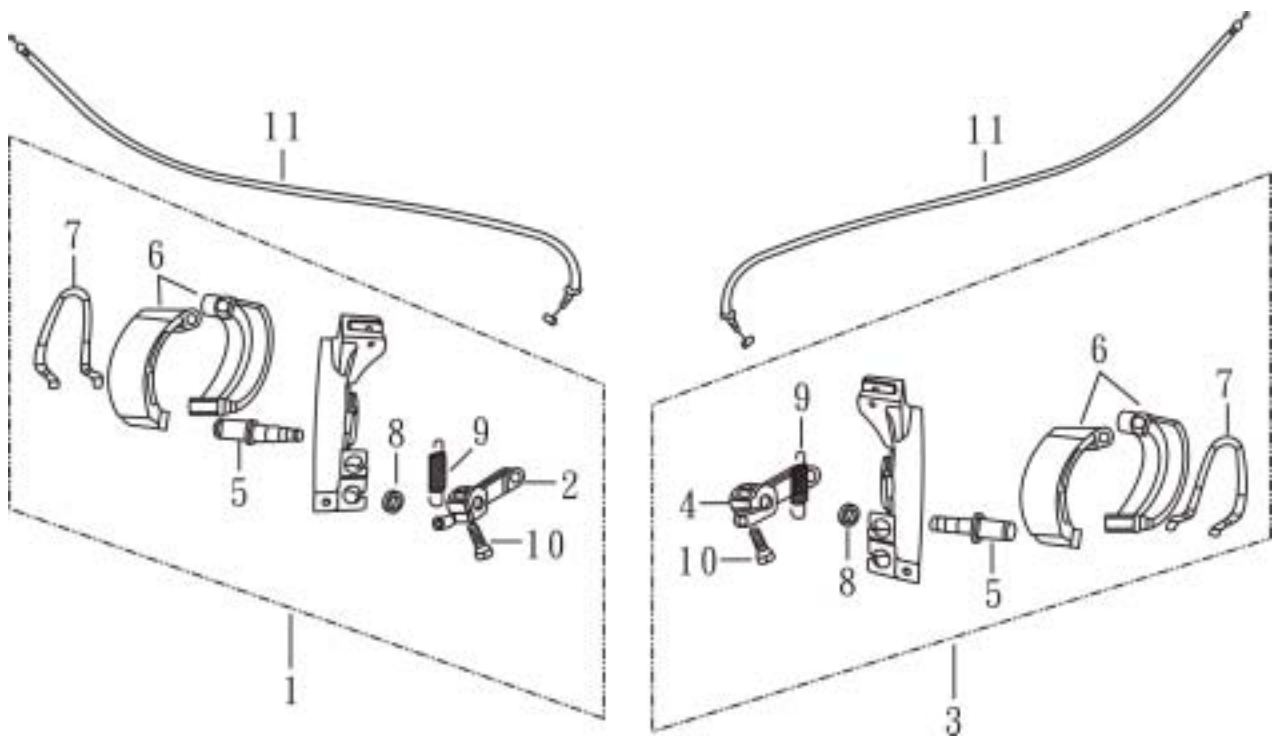
A6	SEAT ASSY.	50CC
-----------	-------------------	-------------

ITEM	PARTS NO.	DESCRIPTION	REQD. NO.	MAINTENANCE HOUR	SELLING PRICE
1	A1A-76111-00-00	SEAT ASSY.	1		
2	A1A-76162-00-00	BRACKET	1		
3	93900-04012-04	TAPPING SCREW 4X12	1		



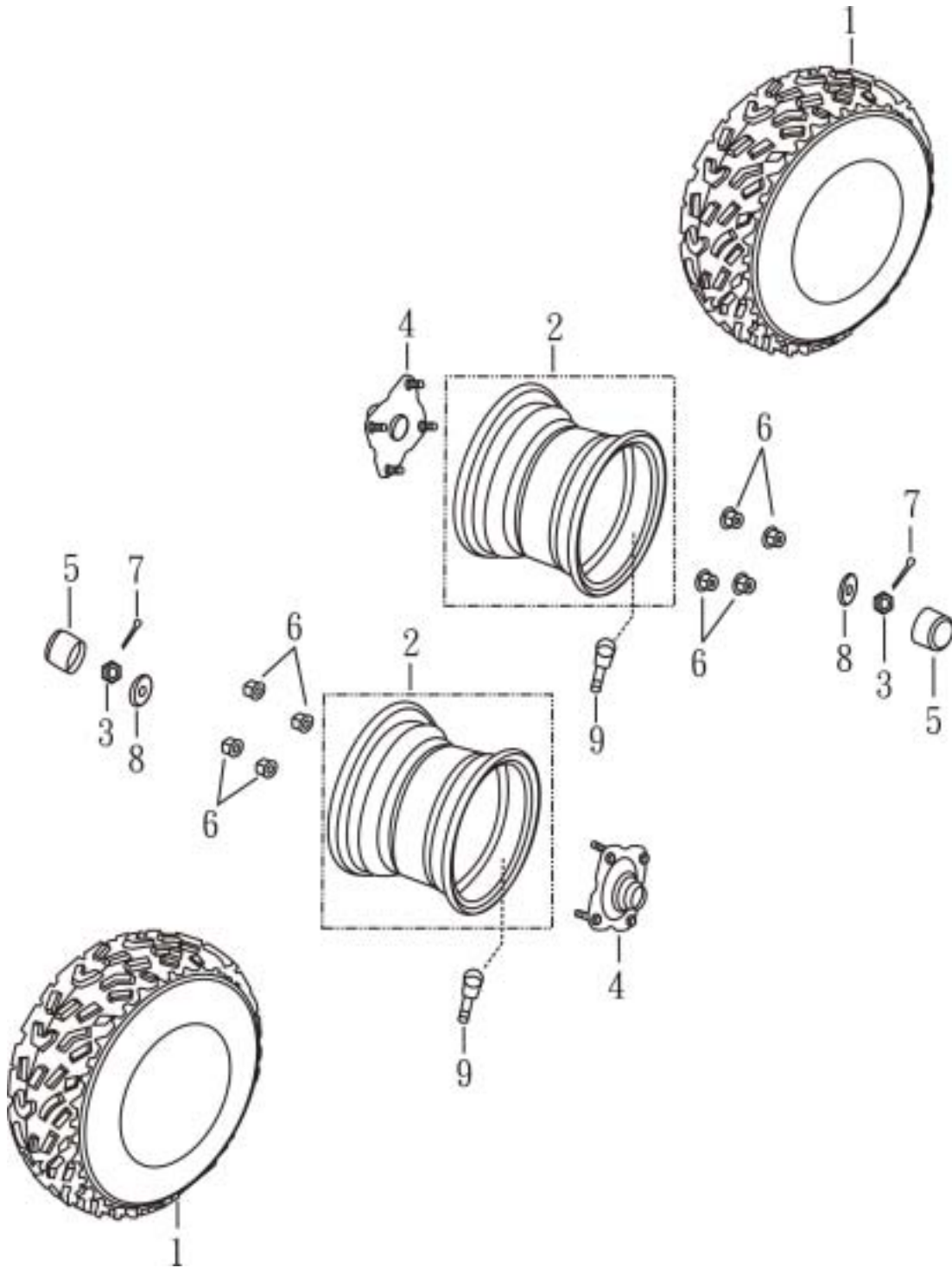
A7	FRONT WHEEL	50CC
-----------	--------------------	-------------

ITEM	PARTS NO.	DESCRIPTION	REQD. NO.	MAINTENANCE HOUR	SELLING PRICE
1	A1A-53311-00-00	TIRE 16X8-7	2		
2	A1A-53210-00-00	WHEEL COMP.8X5.5	2		
3	A1A-55442-00-00	FRONT BRAKE DROM	2		
4	91201-22035-70	OIL SEAL 22X35X7	4		
5	A1A-55456-00-00	COLLAR	2		
6	A1A-55446-00-00	COLLAR	2		
7	96120-06003-10	BALL BEARING 6003Z	2		
8	96120-06002-10	BALL BEARING 6002Z	2		
9	A1A-53266-00-00	NUT 10MM	2		
10	A1A-53257-00-00	WASHER	2		
11	94201-22305-00	SPLIT PIN 2.2X30.5	2		
12	A1A-53268-00-00	ROBBER CAP	2		
13	A1A-54256-00-00	WASHER	2		
14	94061-10000-03	FLANGE U NUT 10MM	8		
15	A1A-53322-00-00	RIM VALVE	2		



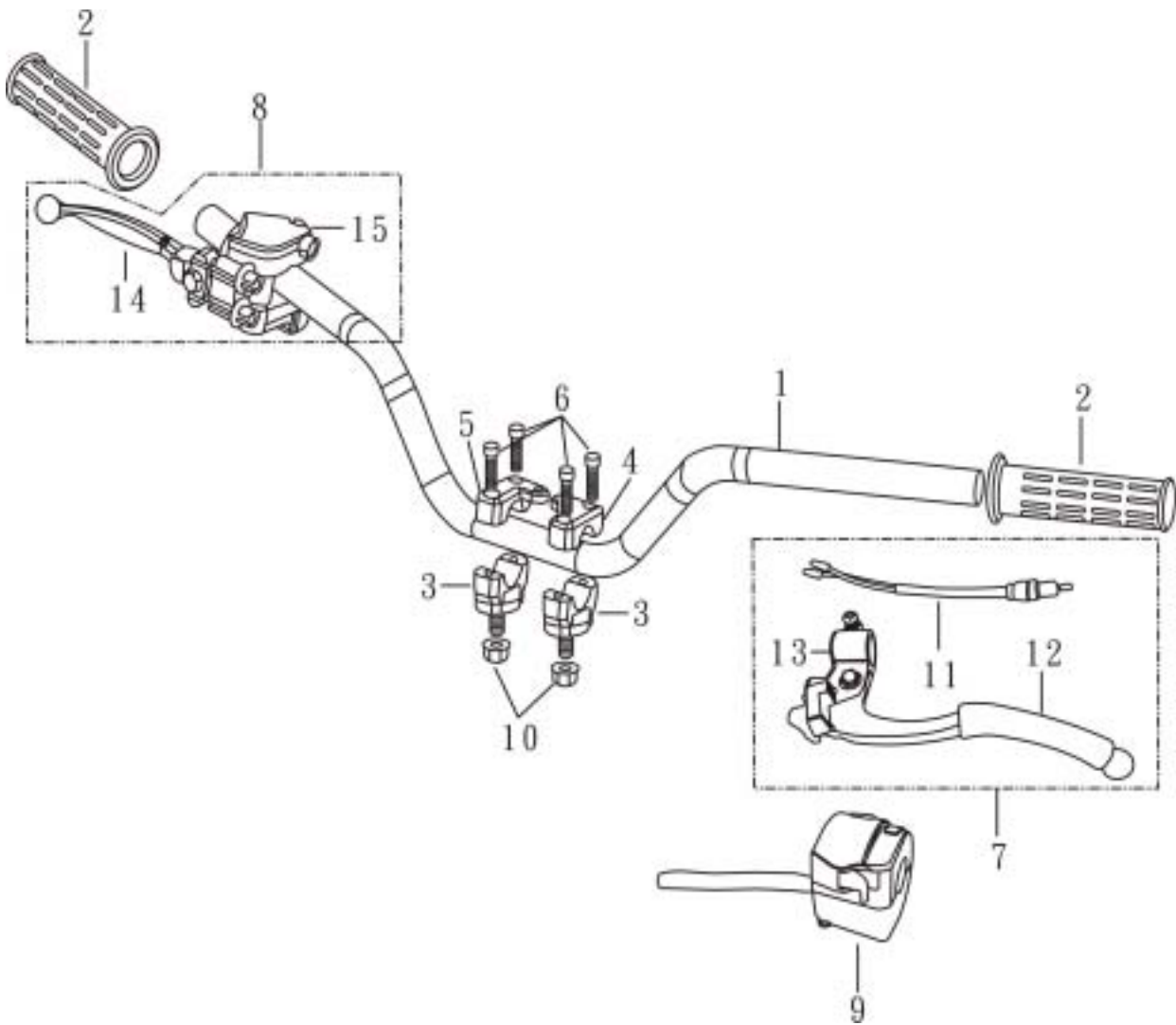
A8	FRONT BRAKE	50CC
-----------	--------------------	-------------

ITEM	PARTS NO.	DESCRIPTION	REQD. NO.	MAINTENANCE HOUR	SELLING PRICE
1	A1A-55450-00-00	FRONT BRAKE PANEL ASSY,R	1		
2	A1A-55612-00-00	CAM SHAFT LEVER,2	1		
3	A1A-55440-00-00	FRONT BRAKE PANEL ASSY.L	1		
4	A1A-55611-00-00	CAM SHAFT LEVER,1	1		
5	A1A-55621-00-00	CAM SHAFT,1	2		
6	A1A-55420-00-00	BRAKE SHOE KIT	2		
7	A1A-55461-00-00	SPRING	2		
8	A1A-55638-00-00	DUST SEAL	2		
9	A1A-55635-00-00	TENSIION SPRING	2		
10	A1A-55616-00-00	BOLT 5X23	2		
11	A1A-68111-00-00	BRAKE CABLE,1	2		



A9	REAR WHEEL	50CC
-----------	-------------------	-------------

ITEM	PARTS NO.	DESCRIPTION	REQD. NO.	MAINTENANCE HOUR	SELLING PRICE
1	A1A-53311-00-00	TIRE 16X8-7	2		
2	A1A-53210-00-00	WHEEL COMP. 8X5.5	2		
3	A1A-54266-00-00	CASTLE NUT 14MM	2		
4	A1A-54223-00-00	REAR WHEEL CONNECTER	2		
5	A1A-53268-00-00	ROBBER CAP	2		
6	94601-10000-03	FLANGE U NUT 10MM	8		
7	94201-22305-03	SPLIT PIN 2.2X30.5	2		
8	A1A-54256-00-00	WASHER	2		
9	A1A-53322-00-00	PIM VALVE	2		

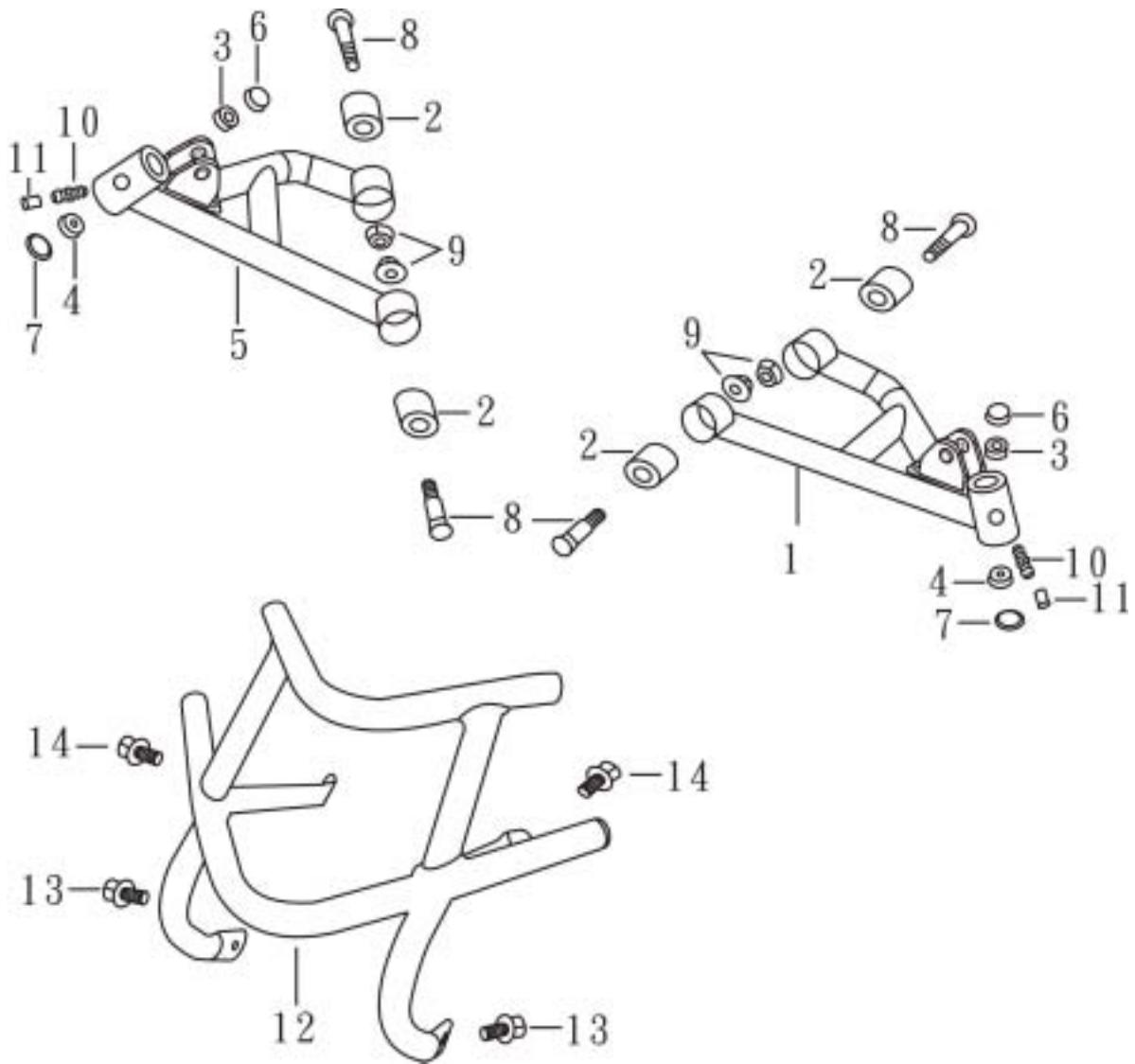


A10	HANDLE BAR	50CC
------------	-------------------	-------------

ITEM	PARTS NO.	DESCRIPTION	REQD. NO.	MAINTENANCE HOUR	SELLING PRICE
1	A1A-72110-00-00	HANDLE COMP.	1		
2	A1A-72251-00-00	GRIP	2		
3	A1A-72222-00-00	HANDLE HOLDER ASSY.	2		
4	A1A-72225-00-00	HANDLE HOLDER COVER,1	1		
5	A1A-72235-00-00	HANDLE HOLDER COVER,2	1		
6	96700-06025-02	SOCKEJ BOLT 6X25	4		
7	A1A-37750-00-00	LEVEL ASSY. LEFT	1		
8	A1A-37850-00-00	LEVEL ASSY. RIGHT	1		
9	A1A-37700-00-00	LEFT HANDLE SWITCH ASSY.	1		
10	94061-10000-03	FLANGE U NUT 10MM	2		
11	A1A-37770-00-00	STOP SWITCH ASSY.	1		
12	A1A-72253-00-00	LEFT LEVER	1		
13	A1A-37751-00-00	LEFT BODY	1		
14	A1A-72263-00-00	RIGHT LEVER	1		
15	A1A-37851-00-00	RIGHT BODY	1		

A11	REAR BRAKE	50CC
------------	-------------------	-------------

ITEM	PARTS NO.	DESCRIPTION	REQD. NO.	MAINTENANCE HOUR	SELLING PRICE
1	A1A-54521-00-00	REAR WHEEL AXLE SEAT	1		
2	A1A-54522-00-00	SPACER TUBE	1		
3	96120-06006-20	BALL BEARING 6006Z	2		
4	91201-35055-11	OIL SEAL 35X55X11	1		
5	A1A-56631-00-00	BRAKE CONSUPTION INSTRUCTION	1		
6	91201-40055-70	OIL SEAL 40X55X11	1		
7	A1A-56611-00-00	CAM SHAFT LEVER,2	1		
8	A1A-56420-00-00	BRAKE SHOE KIT	1		
9	92201-06030-04	HEX. BOLT 6X30	1		
10	A1A-56445-00-00	BUST SEAL	1		
11	A1A-56443-00-00	REAR BRAKE COVER	1		
12	95800-08012-02	FLANGE BOLT 8X12	2		
13	A1A-56412-00-00	REAR BRAKE DRUM	1		
14	A1A-68210-00-00	BRAKE CABLE	1		
15	91301-28130-00	O-RING	1		
16	A1A-56621-00-00	CAM SHAFT,2	1		
17	92000-12035-02	BOLT 12X35	1		
18	95800-12036-02	FLANGE BOLT 12X36	3		
19	A1A-54523-00-00	COLLAR	1		



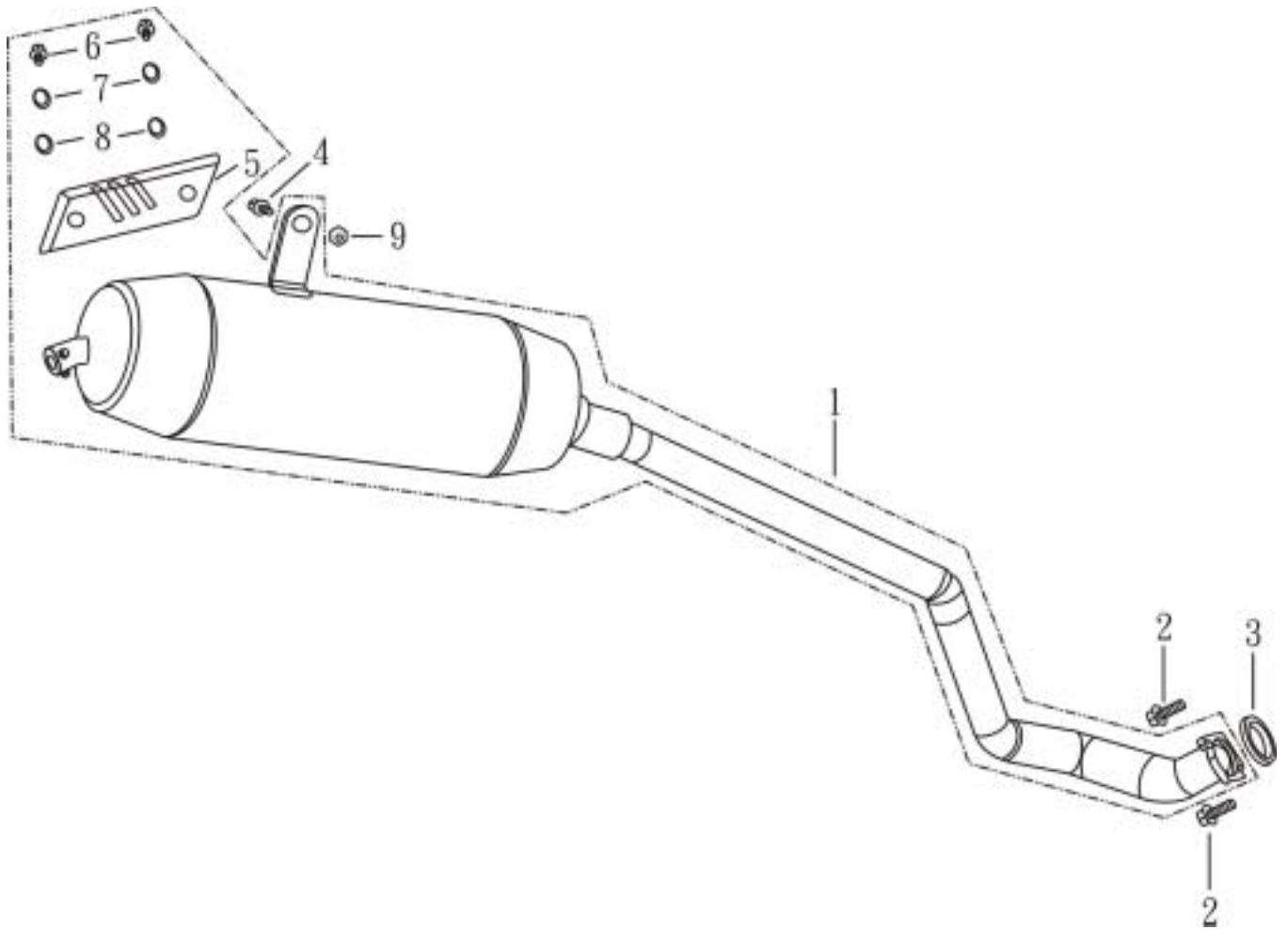
A12	SWING ARM / FOOTREST / FEND BAR	50CC
------------	--	-------------

ITEM	PARTS NO.	DESCRIPTION	REQD. NO.	MAINTENANCE HOUR	SELLING PRICE
1	A1A-57311-00-00	FRONT SWING ARM,1	1		
2	A1A-57339-00-00	BUSH	4		
3	A1A-57358-00-00	BUSH CONTAIN OIL,2	2		
4	A1A-57357-00-00	BUSH CONTAIN OIL,1	2		
5	A1A-57321-00-00	FRONT SWING ARM,2	1		
6	A1A-57329-00-00	WATERPROOF COVER	2		
7	A1A-57336-00-00	DUST SEAL	2		
8	95801-10048-02	FLANGE BOLT 10X48	4		
9	94061-10000-03	FLANGE U NUT 10MM	4		
10	A1A-57367-00-00	GREASE VALVE	1		
11	A1A-57368-00-00	GREASE VALVE CAP	2		
12	A1A-52151-60-00	FRONT FENDER ROD	1		
13	95800-08016-02	FLANGE BOLT 8X16	2		
14	95800-06016-02	FLANGE BOLT 6X16	2		

A13

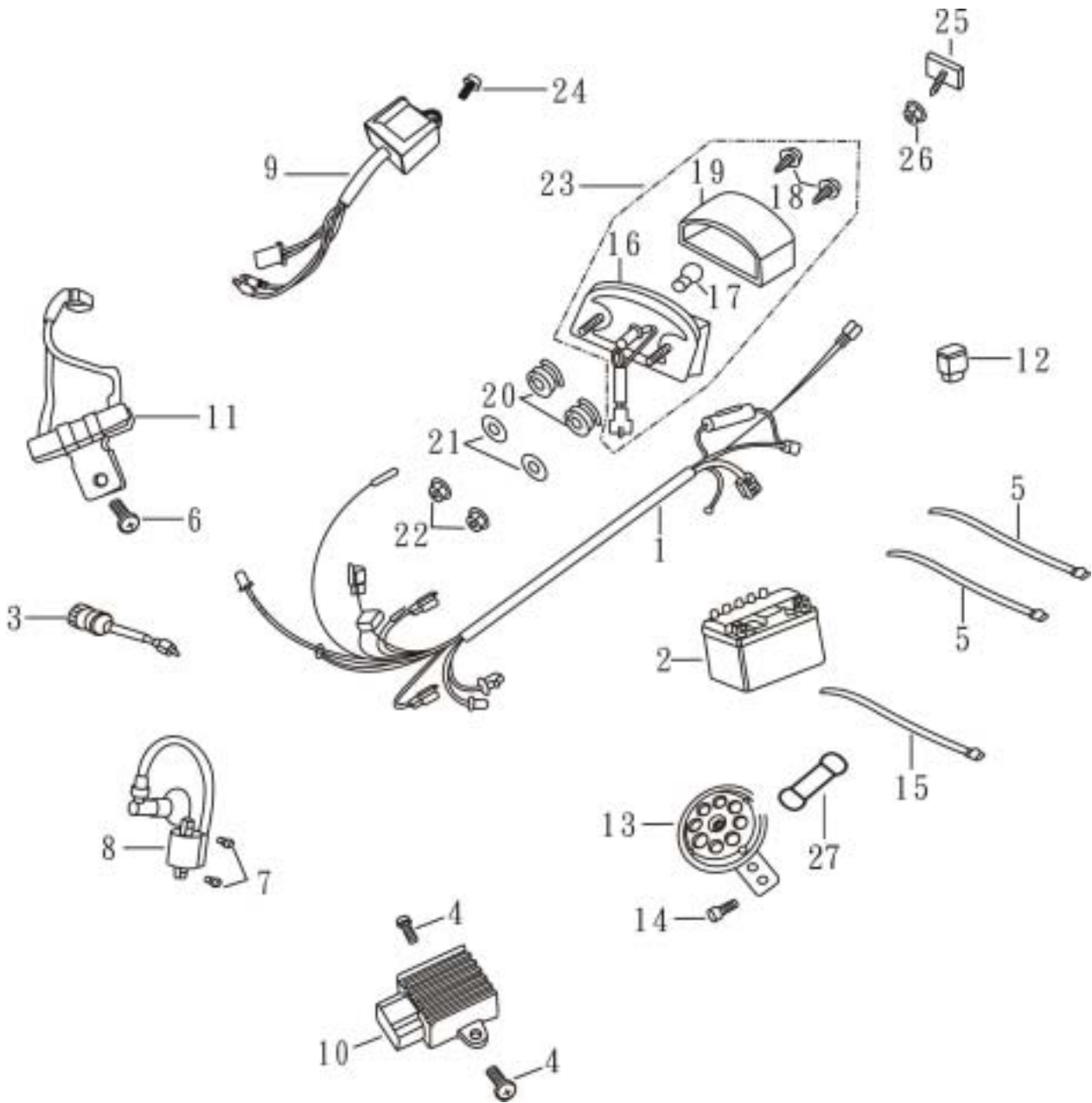
MUFFLER ASSY

50CC



A13	MUFFLER ASSY	50CC
------------	---------------------	-------------

ITEM	PARTS NO.	DESCRIPTION	REQD. NO.	MAINTENANCE HOUR	SELLING PRICE
1	A1A-28200-00-01	EXHAUST PIPE ASSY.	1		
2	95810-06018-03	FLANGE BOLT 6X18	2		
3	A1A-28131-00-00	EXHAUST PIPE GASKET	1		
4	95701-08036-02	FLANGE BOLT 8X36	1		
5	A1A-28112-00-00	MUFFLER PROTECTOR,2	1		
6	96000-06012-70	FLANGE BOLT 6X12	2		
7	94101-06083-70	PLATE WASHER 6MM	2		
8	94101-06084-90	PLATE WASHER 6MM	2		
9	94051-08000-03	FLANGE NUT 8MM	1		



A14	ELECTRICAL PARTS	50CC
------------	-------------------------	-------------

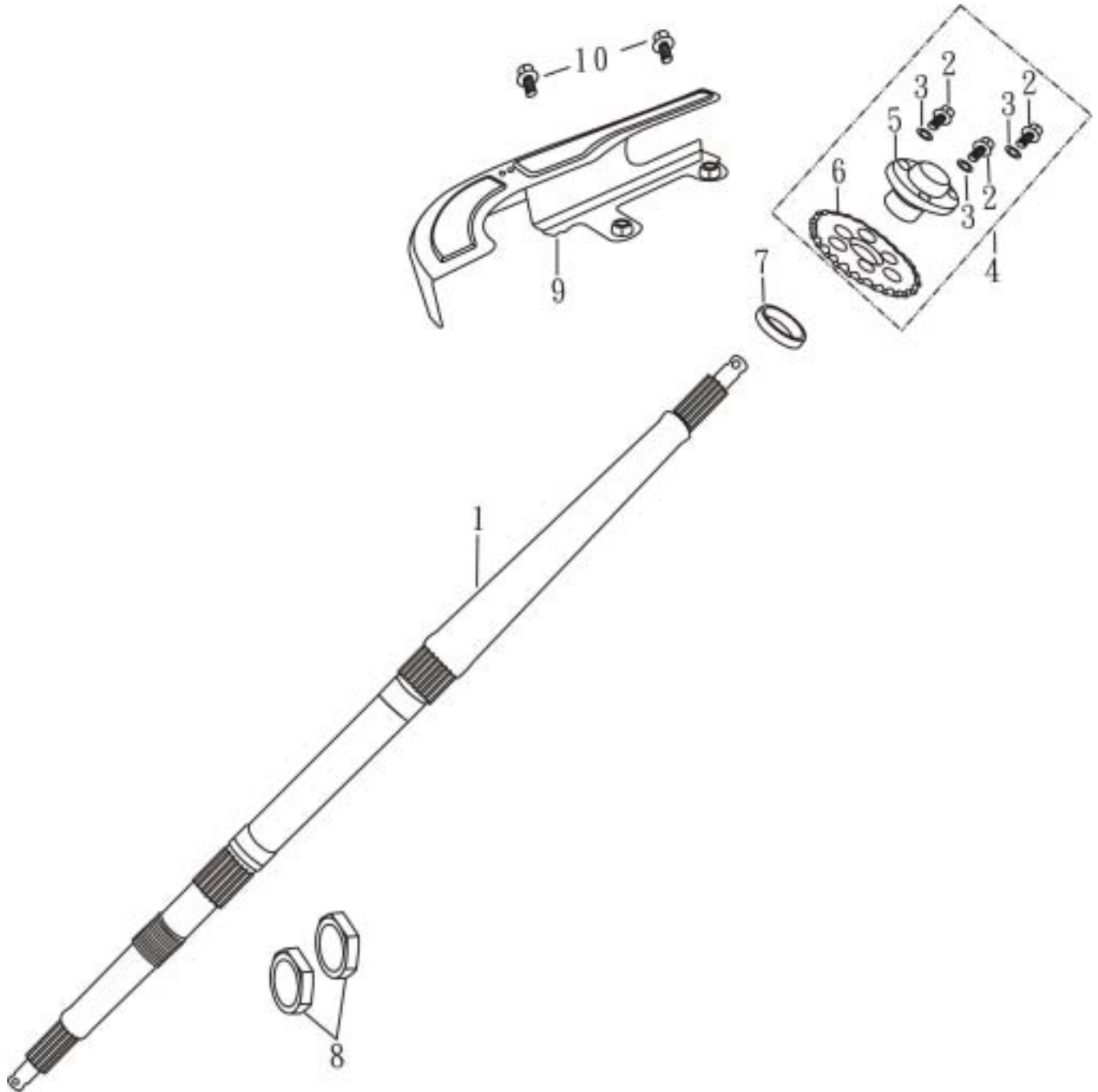
ITEM	PARTS NO.	DESCRIPTION	REQD. NO.	MAINTENANCE HOUR	SELLING PRICE
1	A1A-33610-00-00	WIRE HARNESS ASSY.	1		
2	A1A-33410-00-00	BATTERY ASSY.	1		
3	A1A-66210-00-00	MAIN SWITCH ASSY.	1		
4	93500-05012-03	PAN HEAD SCREW 5X12	2		
5	94402-02502-01	BAND 250	2		
6	93500-06012-03	PAN HEAD SCREW 6X12	1		
7	92000-06016-02	BOLT 6X16	2		
8	M1A-33140-00-00	IGNITION COIL ASSY.	1		
9	M2A-33110-00-00	C.D.I ASSY.	1		
10	M1A-31310-00-00	REG. REC. COMP.	1		
11	A1A-38410-00-00	RESISTOR COMP.	1		
12	M1A-38310-00-00	STARTER RELAY ASSY.	1		
13	A1A-38210-00-00	HORN	1		
14	95800-06012-04	FLANGE BOLT 6X12	1		
15	94404-03001-01	BAND 30MM	1		
16	A1A-35411-00-00	TAIL LIGHT BASE	1		
17	A1A-35451-00-00	BULB 12V-21/5W	1		
18	93910-04038-03	TAPPING SCREW 4X38	2		
19	A1A-35412-00-00	TAIL LIGHT LENS	1		
20	A1A-52158-00-00	DAMPER,2	2		
21	94101-06193-00	PLATE WASHER 6MM	2		
22	94051-06000-01	FLANGE NUT 6MM	1		
23	A1A-35400-00-00	TAIL LIGHT ASSY.	1		
24	93891-06020-04	SCREW W/WASHER 6X20	1		
25	A1A-35427-00-00	RR. REFLECTOR (E MARK)	1		
26	94050-05000-01	FLANGE NUT 5MM	1		
27	A1A-81113-00-00	ROBBER	1		



A15

REAR WHEEL AXLE

50CC



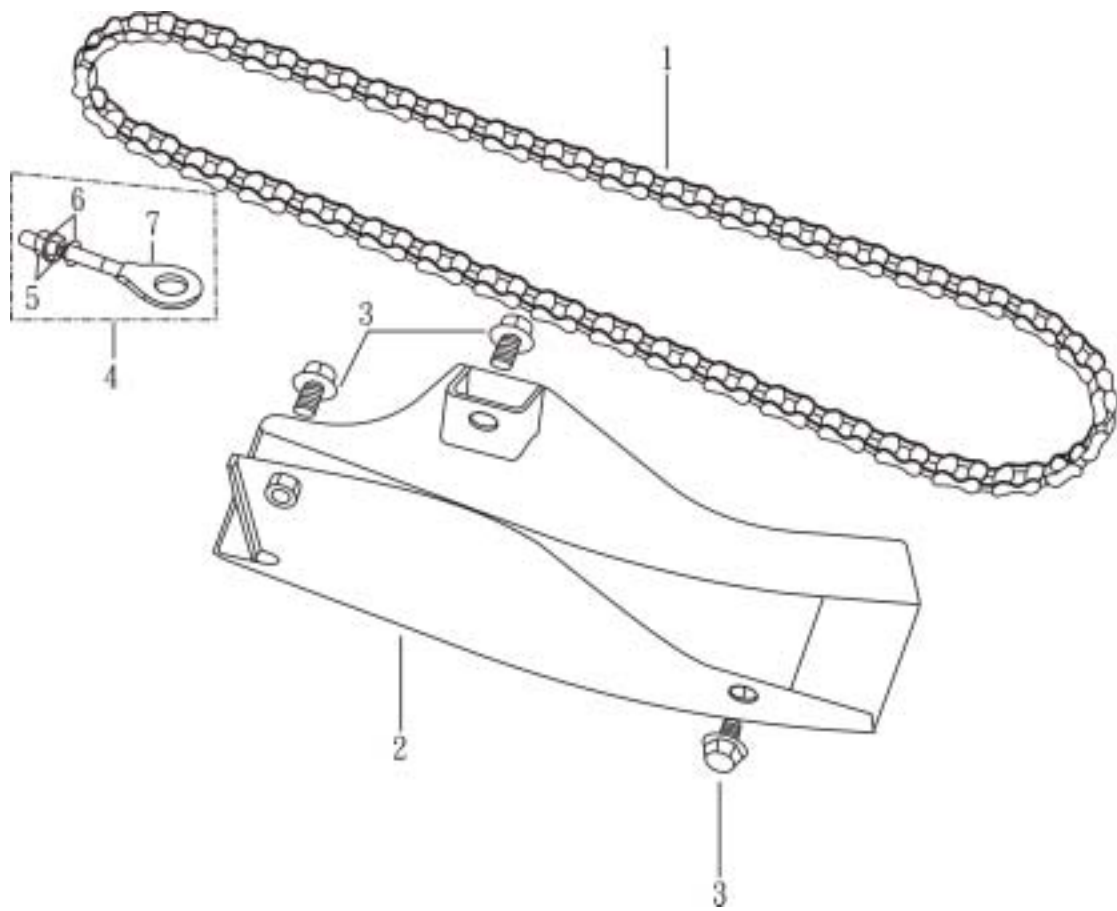
A15	REAR WHEEL AXLE	50CC
------------	------------------------	-------------

ITEM	PARTS NO.	DESCRIPTION	REQD. NO.	MAINTENANCE HOUR	SELLING PRICE
1	A1A-54511-00-01	REAR WHEEL AXLE	1		
2	95800-08020-20	FLANGE BOLT 8X20	3		
3	94111-08145-33	SPPING WASHER 8MM	3		
4	A1A-26950-00-00	SPROCKET ASSY.	1		
5	A1A-26955-00-00	SPROCKET HOLDER	1		
6	A1A-26930-00-00	SPROCKET	1		
7	A1A-26956-00-00	COLLAR	1		
8	A1A-54524-00-00	CASTLE NUT 28MM	1		
9	A1A-26942-00-00	CHAIN CASE,2	1		
10	95800-08014-02	FLANGE BOLT 8X14	2		

A16

CHAIN

50CC



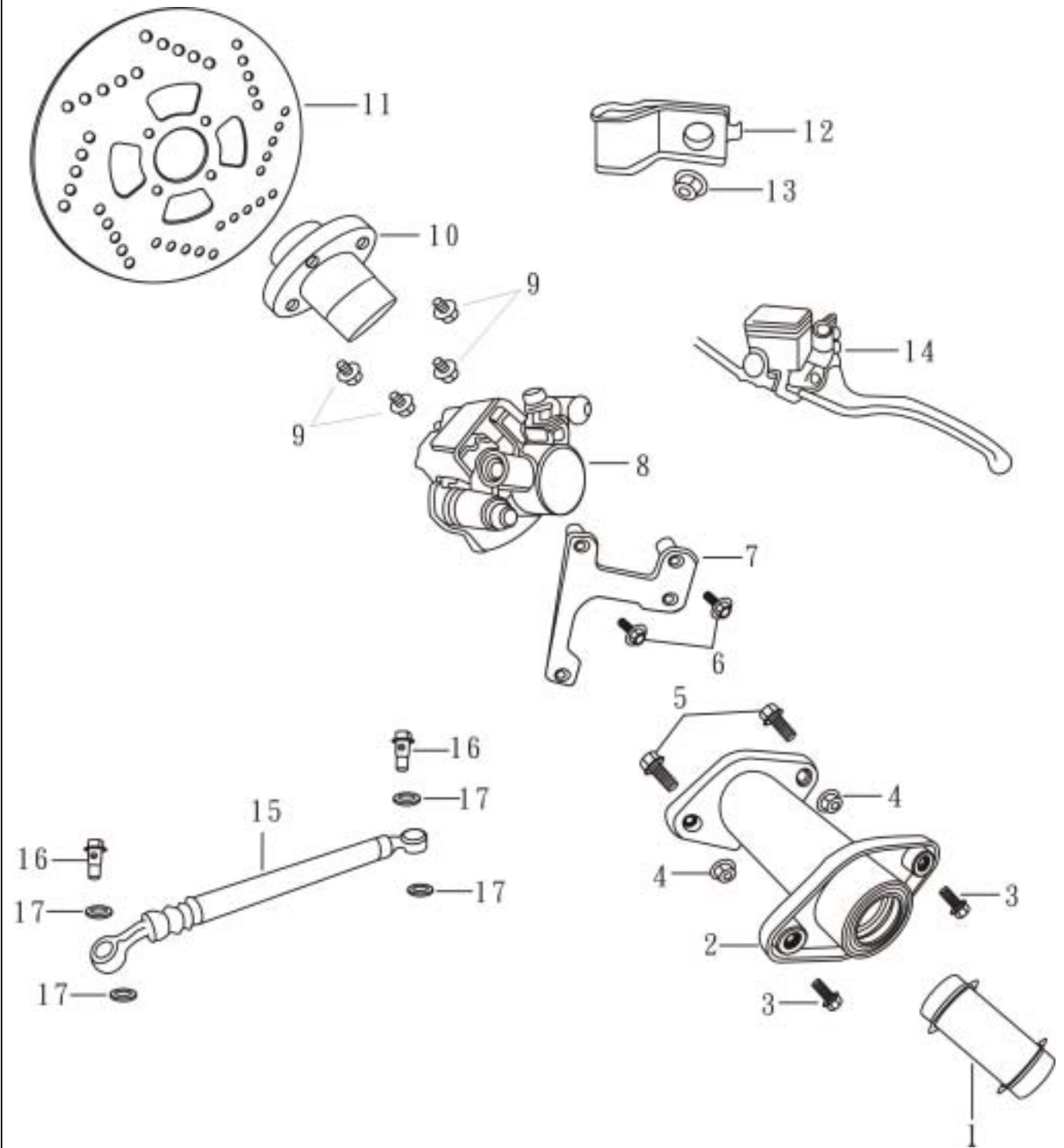
A16	CHAIN	50CC
------------	--------------	-------------

ITEM	PARTS NO.	DESCRIPTION	REQD. NO.	MAINTENANCE HOUR	SELLING PRICE
1	A1A-26960-00-00	DRIVE CHAIN 428X86	1		
2	A1A-26941-00-00	CHAIN CASE,1	1		
3	95800-08012-02	FLANGE BOLT 8X12	3		
4	A1A-56470-00-00	CHAIN ADJUSTER ASSY,1	1		
5	94001-06000-01	HEX. NUT 6MM	2		
6	94101-06131-01	WASHER	2		
7	A1A-56471-00-00	CHAIN ADJUSTER	1		

A17

DISK ASSY.

50CC



A17	DISK ASSY.	50CC
------------	-------------------	-------------

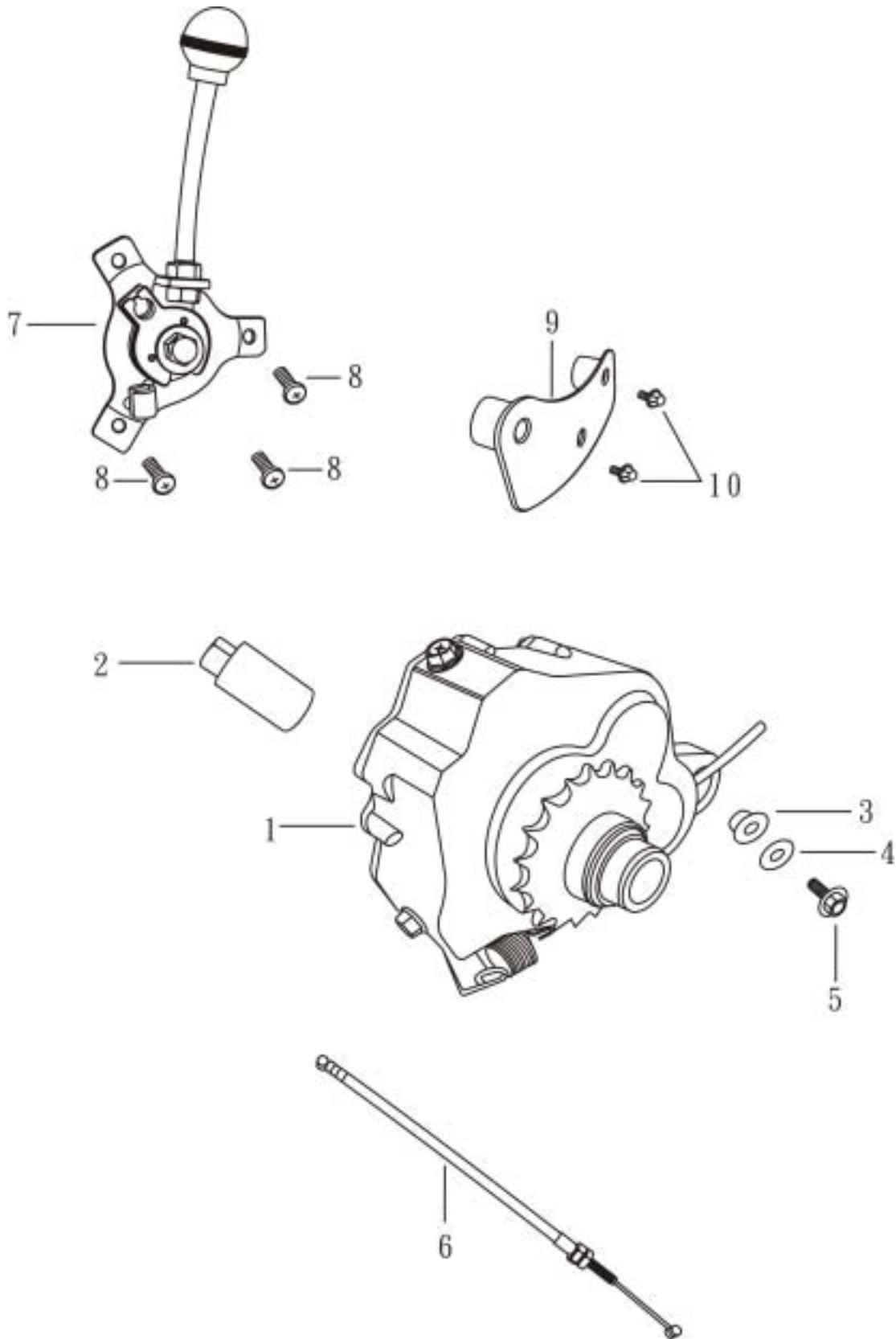
ITEM	PARTS NO.	DESCRIPTION	REQD. NO.	MAINTENANCE HOUR	SELLING PRICE
1	A1A-54522-00-01	SPACER TUBE	1		
2	A1A-54521-00-01	REAR WHEEL AXLE SEAT	1		
3	95800-12028-02	BOLT 12X28	2		
4	94050-12000-03	FLANGE NUT 12MM	2		
5	95800-12050-02	BOLT 12X50	2		
6	95701-08025-01	BOLT 8X25	2		
7	A1A-56022-00-00	CALIPER STAY	1		
8	A1A-56020-00-00	CALIPER ASSY	1		
9	96700-06014-04	SOCKEJ BOLT 6X14	4		
10	A1A-56034-00-00	BRAKE DISK STAY	1		
11	A1A-56033-00-00	BRAKE DISK	1		
12	A1A-56044-00-00	BRAKE HOSE HOLDER	1		
13	94050-08000-03	FLANGE NUT 8MM	1		
14	A1A-56010-00-00	MASTER CYLINDER	1		
15	A1A-56043-00-00	BRAKE HOSE	1		
16	A1A-56027-00-00	HOSE BOLT	2		
17	94101-10143-50	PLATE WASHER	4		



A18

REVERSE ASSY.

50CC



A18	REVERSE ASSY.	50CC
------------	----------------------	-------------

ITEM	PARTS NO.	DESCRIPTION	REQD. NO.	MAINTENANCE HOUR	SELLING PRICE
1	M1A-29000-00-00	REVERSE GEAR BOX ASSY.	1		
2	M1A-29013-00-00	BOLT	1		
3	94061-10000-03	FLANGE NUT 10MM	1		
4	94101-10224-23	WASHER	1		
5	95802-10040-03	FLANGE BOLT 10X40	1		
6	A1A-72291-00-00	REVERSE CABLE	1		
7	A1A-72290-00-00	REVERSE LEVER ASSY.	1		
8	93500-06012-03	PAN HEAD SCREW 6X12	3		
9	M1A-29011-00-00	FLXED PLATE	1		
10	95701-08036-02	FLANGE BOLT 8X36	2		