

# Manual para

# Rebellian Touring 250

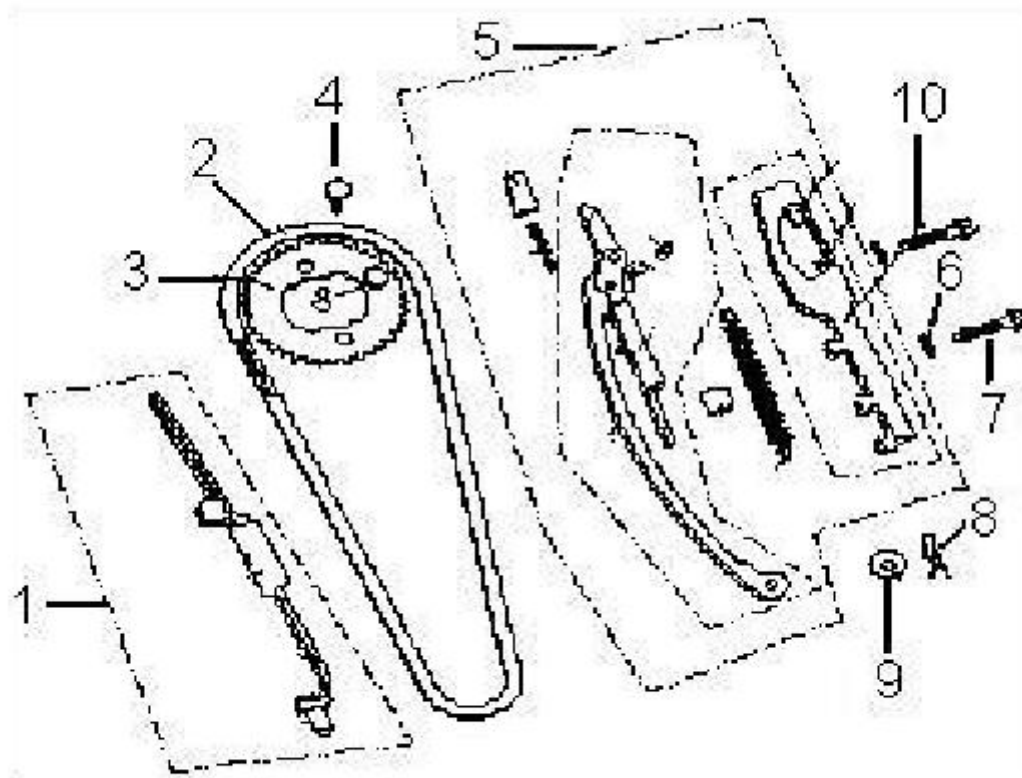
## Por



GX

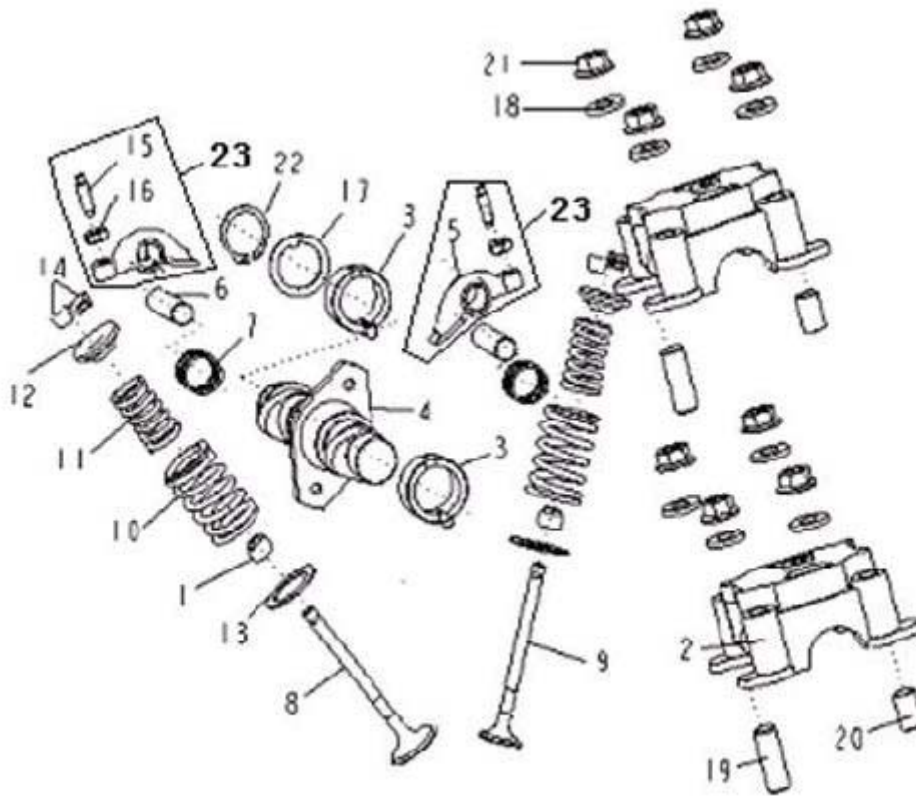
V 1.0

## CAM CHAIN & TENSIONER



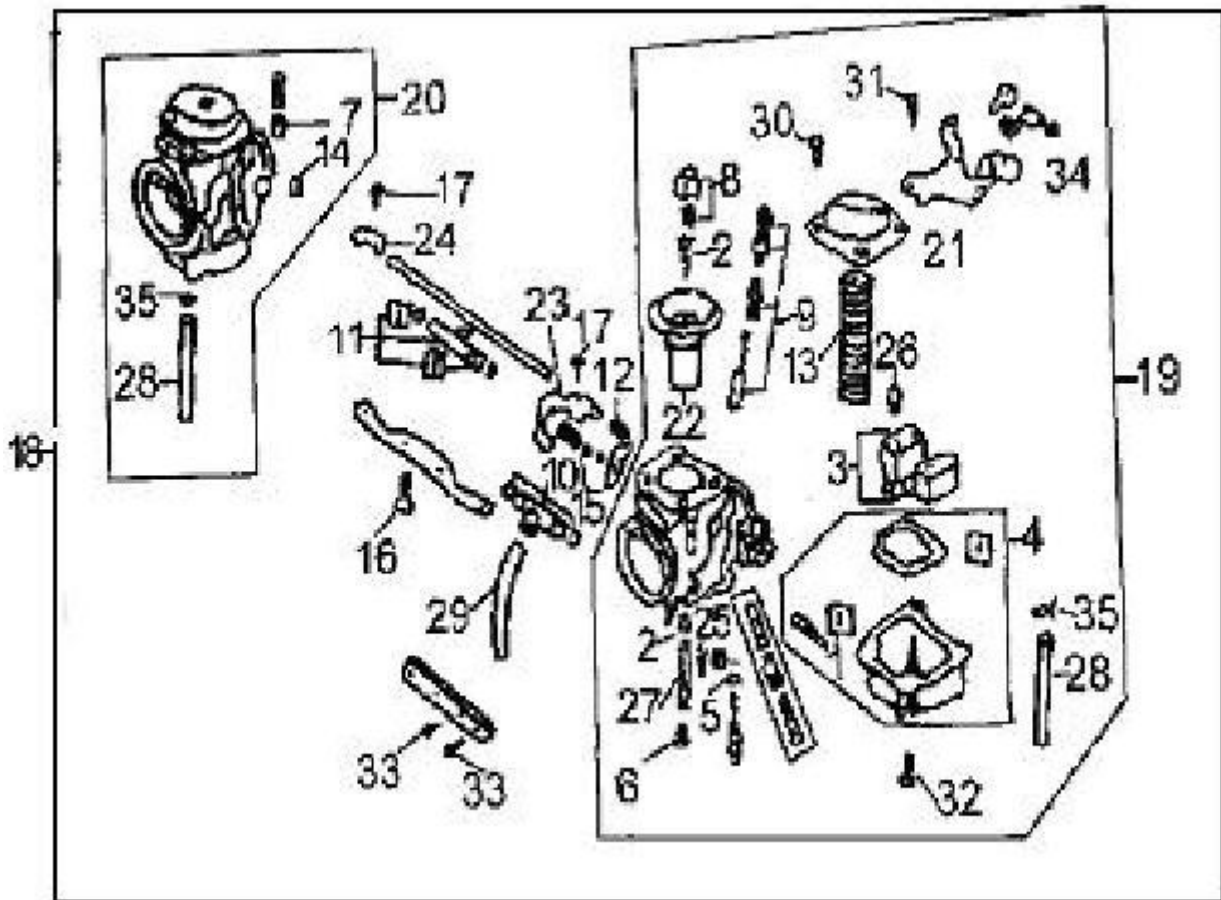
Núm.	Código	Descripción
1	205102.011000	CHAIN PLATE ASSY
2	319101010981	TIMING CHAIN
3	203402.007000	CHAIN WHEEL
4	301990701281	BOLT M7X12
5	205100.008000	CHAIN PLATE ASSY
6	307991506500	WASHER
7	27435N02F000	BOLT
8	205208.001000	PIN
9	307991201611	WASHER
10	301990602462	BOLT

# CAMSHAFT



Núm.	Código	Descripción	Núm.	Código	Descripción
1	203106.001000	OIL SEAL	14	203206.002000	COTTER, VALVE
2	203406.004000	HOLDER, CAMSHAFT	15	203308.007000	SCREW
3	30413K02F000	BUSH	16	203309.007000	NUT
4	203400.004000	CAMSHAFT	17	30799200306A	WASHER
5	30301K02F940	ARM, VALVE ROCKER	18	307992203212	WASHER
6	203306.007063	AXLE, VALVE ROCKER ARM	19	320086100281	DOWEL PIN F10x28
7	203304.001000	SPRING., ROCKER	20	320086100161	PIN , DOWEL f10X16
8	203200.014000	VALVE, INTAKE	21	304210800062	NUT M8
9	203201.013000	VALVE, OUTTAKE	22	308090200001	CIRCLIP
10	203202.005000	SPRING , OUTER	23	203100.003161	ARM, VALVE ROCKER ASSY
11	203203.003000	SPRING, INNER			
12	203204.009000	RETAINER, VALVE SPRING			
13	203205.001000	REATINER, VALVE SPRING			

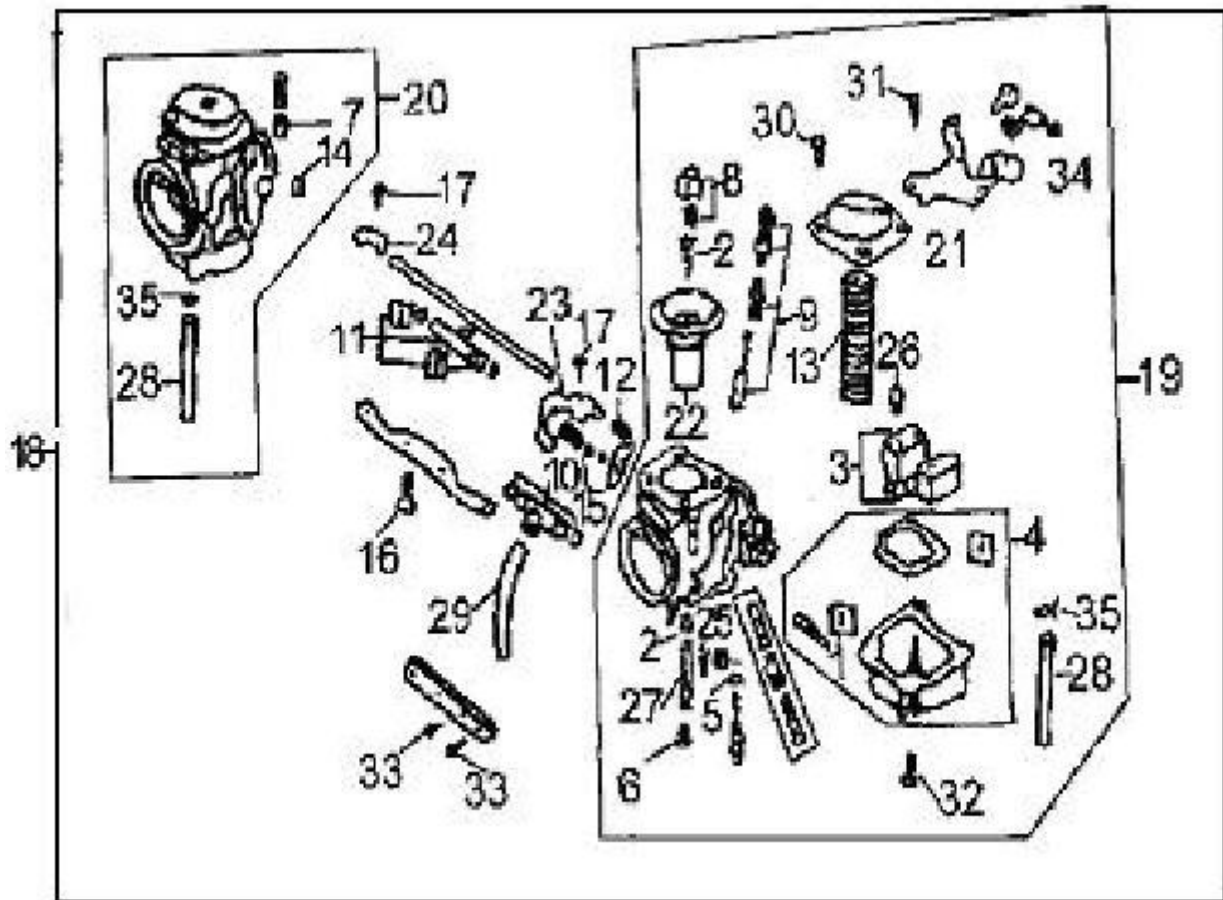
# CARBURETOR I



Núm.	Código	Descripción
1	32701K02F000	SEAL
2	32615K02F000	MAIN JET
3	32622K02F000	FLOAT ASSY
4	224200.005	FLOAT CHAMBER
5	32637K02F000	SCREW,air
6	32617K02F000	MAIN JET
7	302270401262	SCREW M4X12
8	32509K02F000	PLUNGER,assy,starter
9	32632K02F000	JOINT,T
10	32658K02F000	JOINT
11	32659K02F000	TUBE,connecting
12	32660K02F000	SPRING
13	32504K02F000	SPRING,plunger
14	32661K02F000	SPRING,support
15	32631K02F000	SPRING,joint
16	B02040601223	BOLT(M5X12)

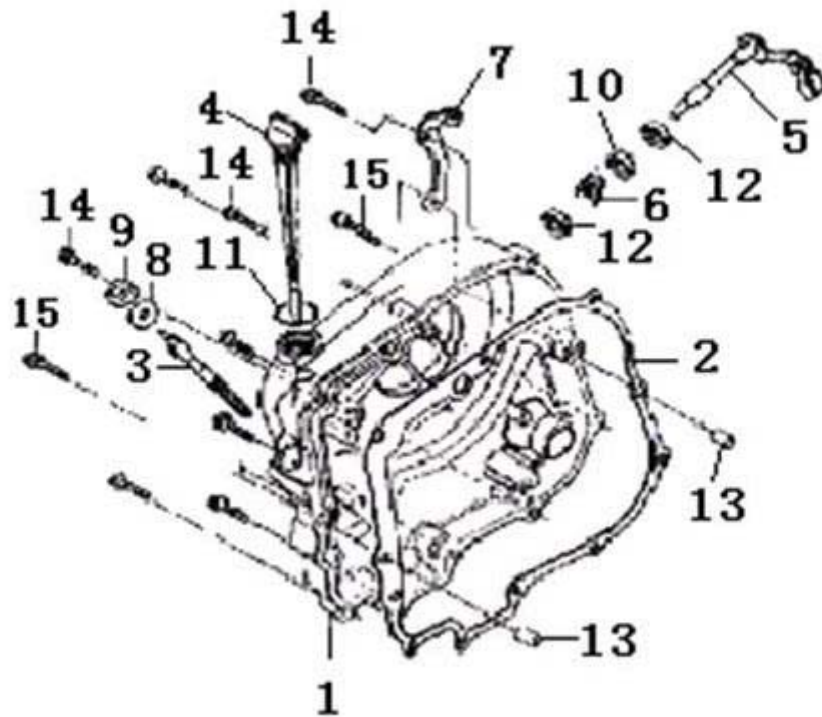


## CARBURETOR II



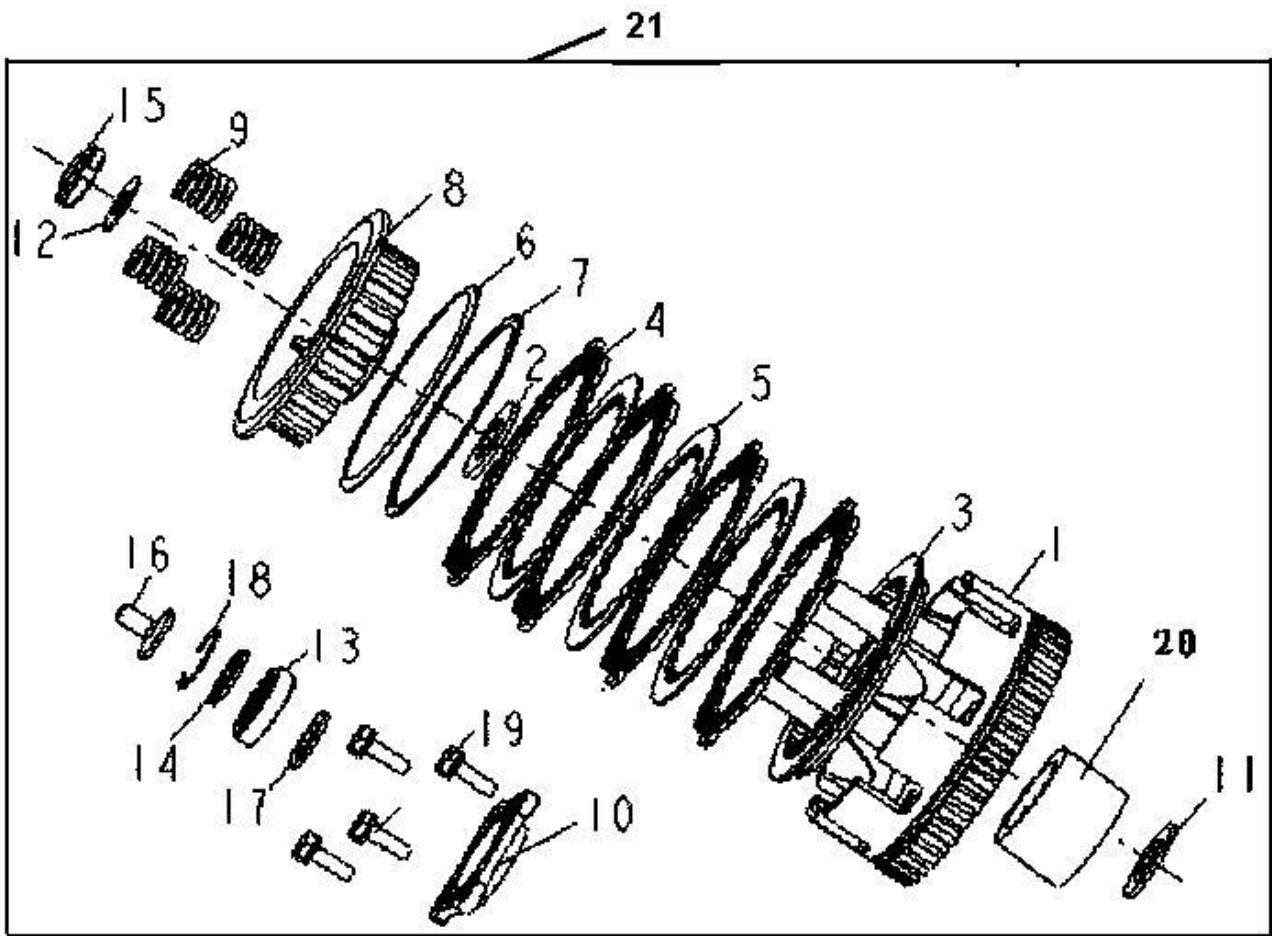
Núm.	Código	Descripción
18	224100.037000	CARBURETOR
19	32801K02F000	CARBURETOR ASSY,RH
20	32802K02F000	CARBURETOR ASSY,LH
21	32502K02F000	COVER,top
22	32506K02F000	PLUNGER
23	32662K02F000	LEVER,starter plunger LH
24	32663K02F000	LEVER,starter plunger RH
25	32618K02F000	JET,pilot
26	32619K02F000	VALVE NEEDLE
27	32616K02F000	JET,needle
28	32703K02F000	HOSE,overflow
29	32624K02F000	HOSE,air vent
31	B02040401432	SCREW M4X16
32	B02040401423	SCREW
33	302270400862	SCREW M4X8
34	B02040400823	SCREW
35	224218.001	CLIP

# CLUTCH COVER



Núm.	Código	Descripción
1	207300.052472	COVER, Clutch ( BKM )
2	207303.009000	GASKET,cover LH
3	207306.001000	PINION,tachometer
4	207304.001472	GAUGE,OIL LEVEL
5	207110.003472	ROD,clutch release
6	207312.002000	SPRING
7	206303.004472	BRACKET,clutch cable
8	307991001812	WASHER
9	317306514571	OIL SEAL 6.5×14.5×7
10	317301218051	OIL SEAL 12*18*5
11	315118035010	O RING18X3.5
12	312912161000	NEEDLE,bearing 57941/12
13	320066080142	PIN,dowel F8X14
14	301310604065	BOLT (M6X40)
15	301310605065	BOLT M6×50

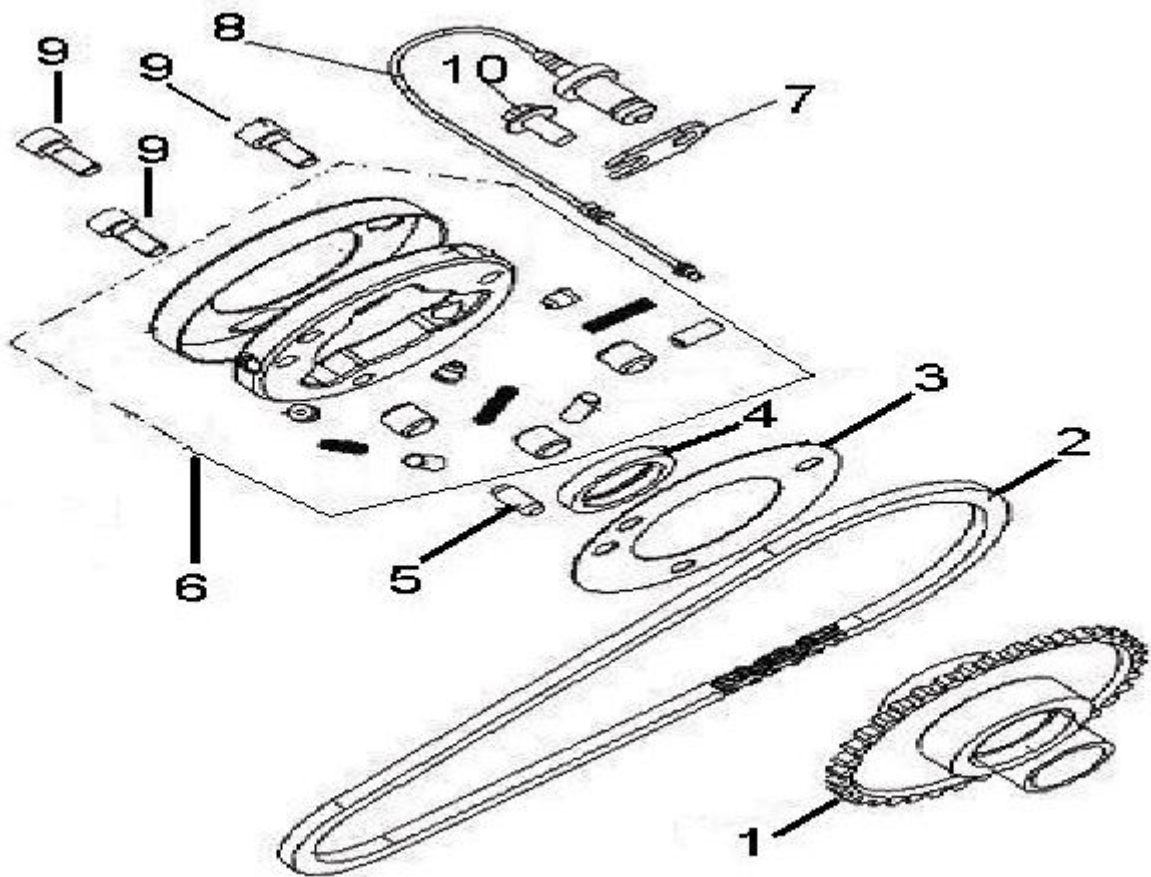
# CLUTCH I



Núm.	Código	Descripción
1	24400N02F000	GEAR, PRIMARY DRIVE
2	24616K02F000	WASHER, SPLINE
3	24503N02F000	HUB, CLUTCH RELEASE
4	24700K02F000	PLATE, DRIVE
5	24506N02F910	PLATE, DRIVE
6	24617N02F000	SPRING
7	24618N02F000	SEAT, SPRING
8	24500N02F000	HUB, CLUTCH SLEEVE
9	24611N02F930	SPRING
10	24815K02F000	DISK , PRESSURE
11	24314N02F000	WASHER

Núm.	Código	Descripción
12	24609K02F000	WASHER
13	24621K02F000	SEAT, BEARING
14	312912260200	NEEDLE bearing
15	24607K02F930	NUT
16	24814K02F930	RACK , RELEASE
17	24620K02F000	WASHER
18	24622K02F000	CIRCLIP
19	B01070602262	BOLT M6X22
20	26003N02F000	BUSH BEARING
21	212100.009000	CLUTCH ASSY

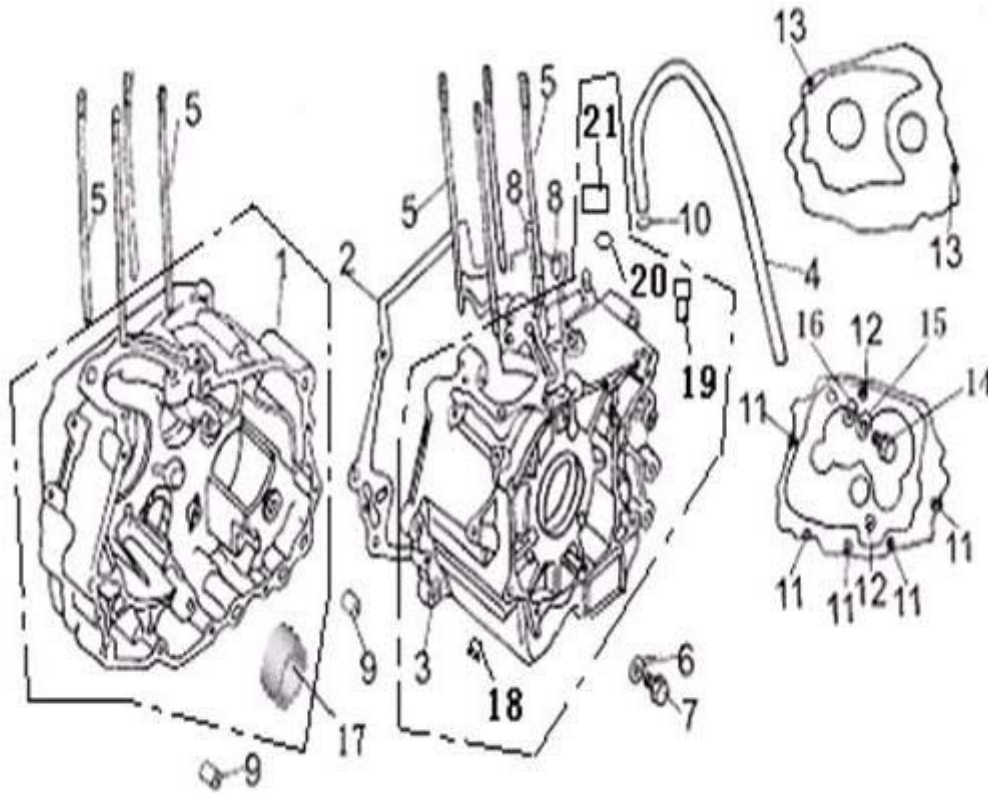
## CLUTCH II



Núm.	Código	Descripción
1	217102.006000	CHAIN WHEEL ASSY
2	319301010563	CHAIN
3	217215.001000	PLATE
4	317302231053	SEAL
5	217212.003000	PIN
6	217101.004000	WHEEL ASSY
7	206218.008000	PLATE
8	34500K02F000	WEITH LEAD ASSY
9	302040601462	SCREW M6X14
10	301310601262	BOLTM6×12

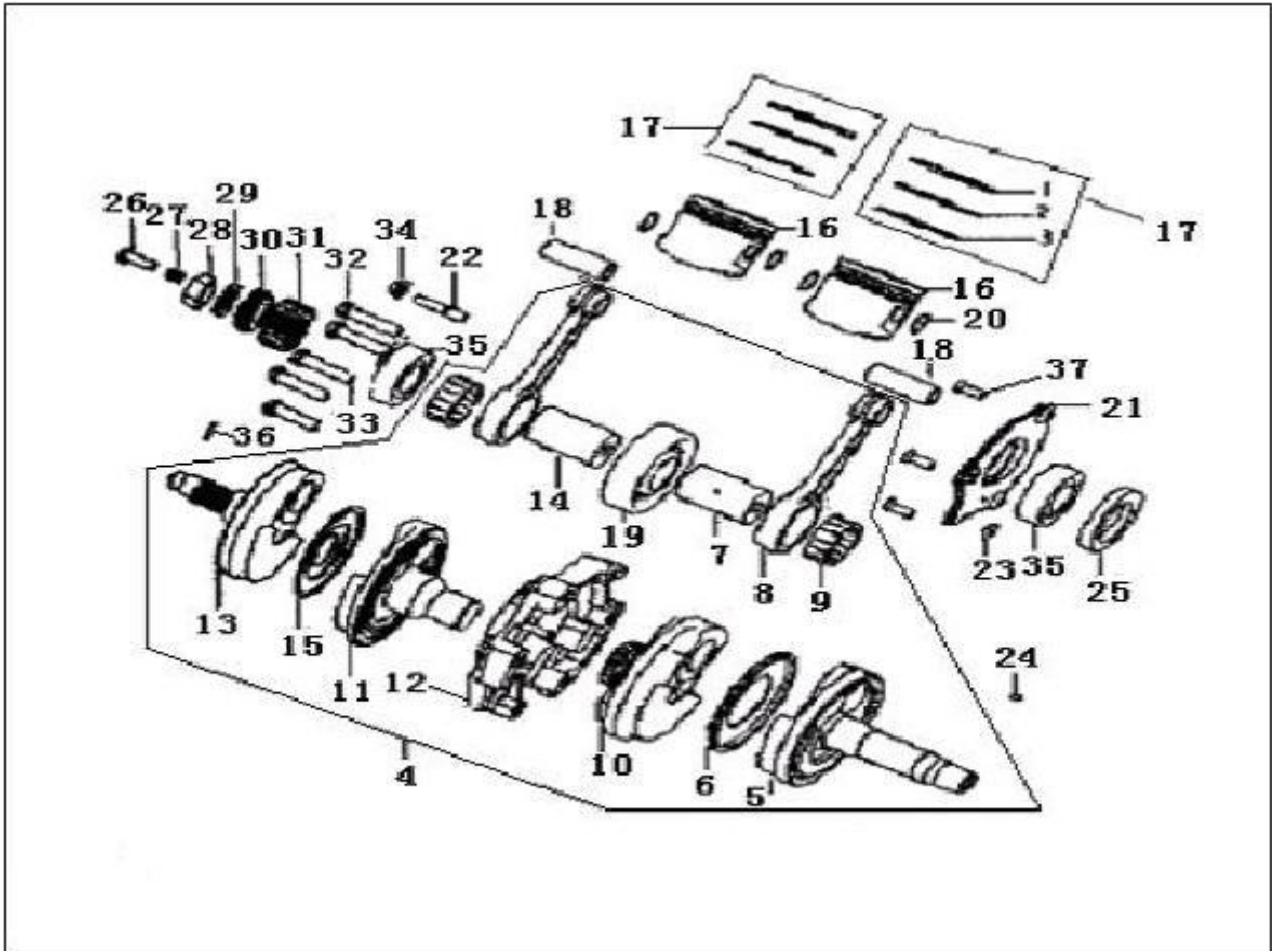


# CRANKCASE



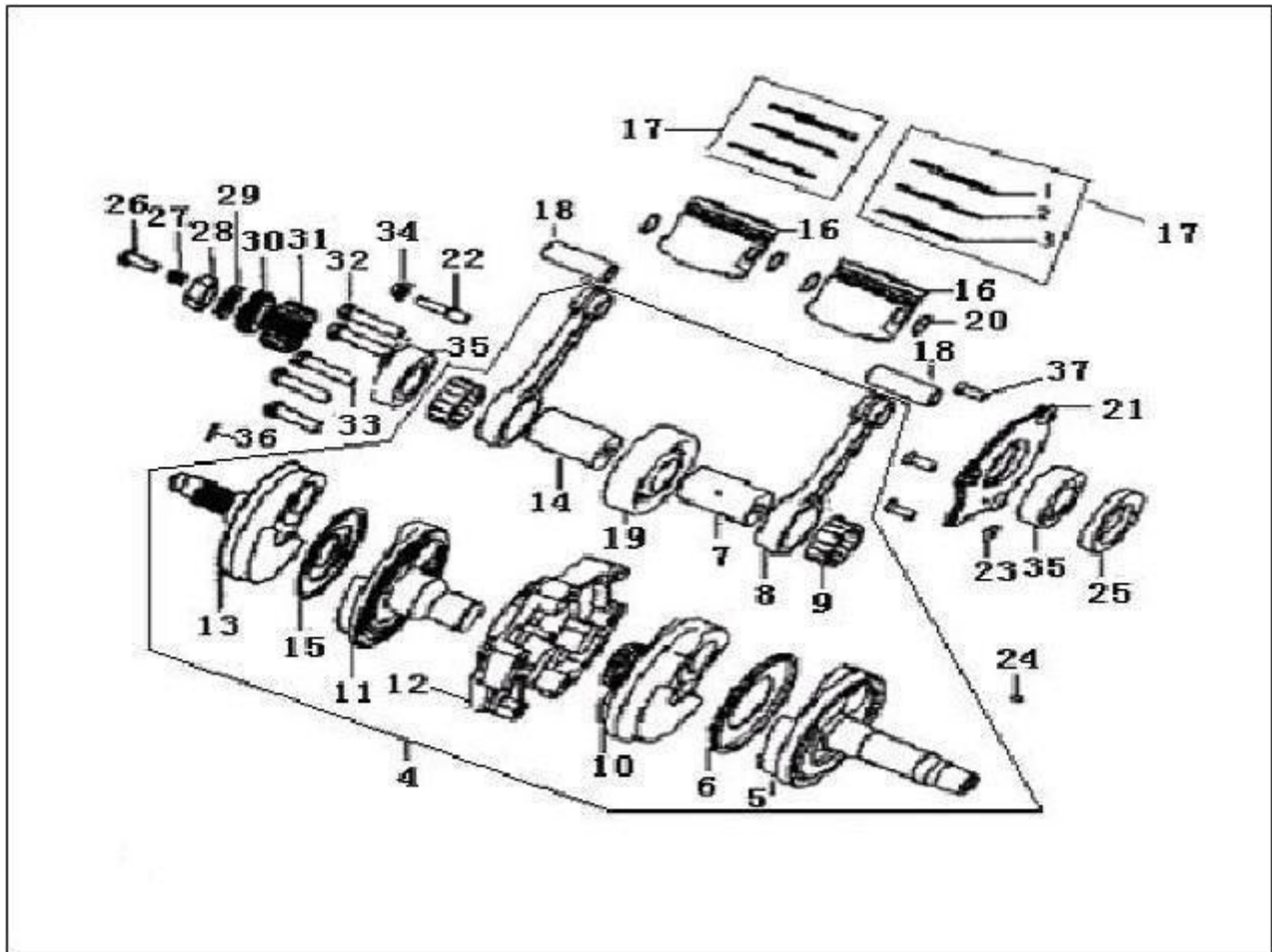
Núm.	Código	Descripción	Núm.	Código	Descripción
1	206300.100082	RIGHT CRANKCASE ASSY	12	301310606562	BOLT M6X65
2	206210.012000	WASHER,crankcase	13	301310604062	BOLT M6X40
3	206200.017082	LEFT CRANKCASE ASSY	14	301310604562	BOLT M6X45
4	206208.007000	BREATH PIPE	15	307060006061	WASHER F6
5	206225.009000	STUD BOLT M8	16	307290006061	WASHER,breather hose F6
6	307992004200	WASHER	17	312915211200	BEARING
7	206211.002271	PLUG,DRAIN	18	206224.004000	STEM
8	320066080142	PIN,dowel F8X14	19	206207.002371	HOSE,breather
9	320100120200	PIN,dowel F12X20	20	315110024020	O RING 10X2.4
10	318116015102	CLIP,breather hose	21	206418.001000	CLOSING COVER

# CRANKSHAFT & PISTON I



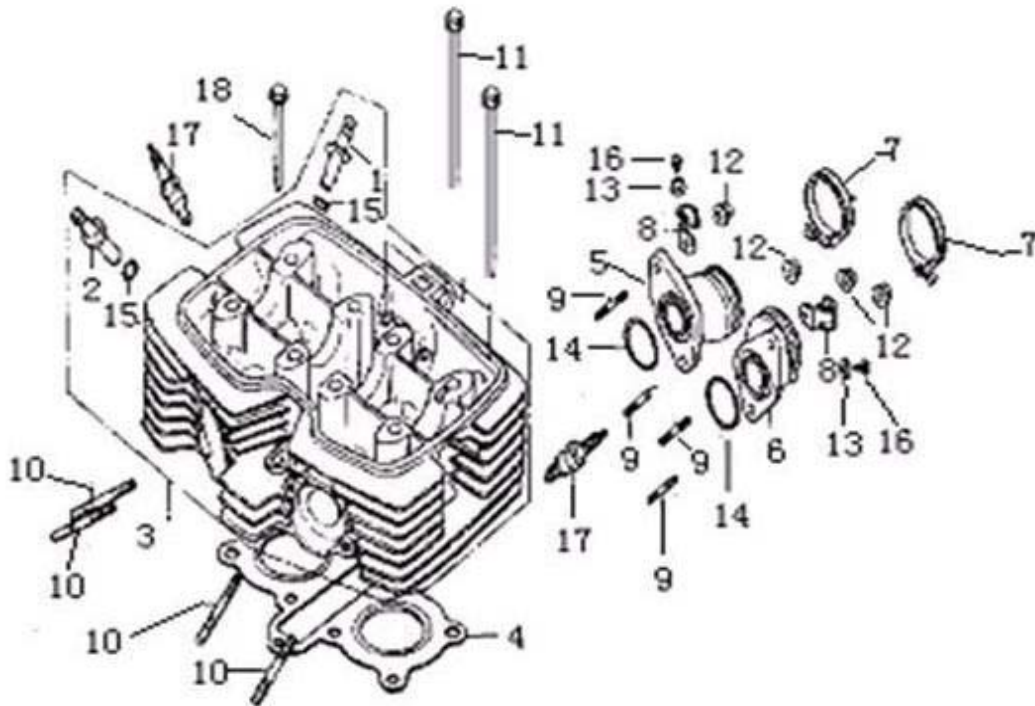
Núm.	Código	Descripción
1	15103N02F940	RING LST
2	15104N02F000	RING 2ND
3	15300N02F000	RING SET OIL
4	208100.021000	CRANKSHAFT ASSY
5	15201N02F000	CRANKSHAFT , LH
6	15220K02F910	SEAL COVER , LH
7	15202N02F000	CRANK PIN, LH
8	15204N02F000	CONNECTING ROD
9	15210N02F000	NEEDLE BEARING
10	15222N02F000	CRANKSHAFT, LH
11	15223N02F000	CRANKSHAFT, RH
12	15400N02F000	SUPPORT ASSY, CENTER
13	15205N02F000	CRANKSHAFT, RH
14	15203N02F000	CRANK PIN, RH
15	15211K02F910	SEAL PIN , RH
16	208300.027000	PISTON
17	208106.010000	RING ASSY
18	208307.011000	PIN, PISTON

## CRANKSHAFT & PISTON II



Núm.	Código	Descripción
20	208308.005000	CIRCLIP
21	206107.001000	PLATE, OIL RESERVE
22	208416.001000	STUD BOLT
23	315171026510	O RING 7.1×2.65
24	208226.001000	PIN
25	317300552073	OIL SEAL
26	208227.002000	JOINT, OIL RESERVE
27	208415.001000	SPRING
28	304911600902	NUT
29	208229.006000	WASHER
30	208217.001000	GEAR, OIL PUMP DRIVE
31	208216.002000	GEAR, CHUTCH DRIVE
32	301310803581	BOLT M8X35
33	301310803081	BOLT M8×30
34	304290600062	NUT M6
35	312603050043	BEARING 6305/P53
36	316012013813	NEEDLE BEARING P2×13.8
37	302220601662	SCREW M6X16

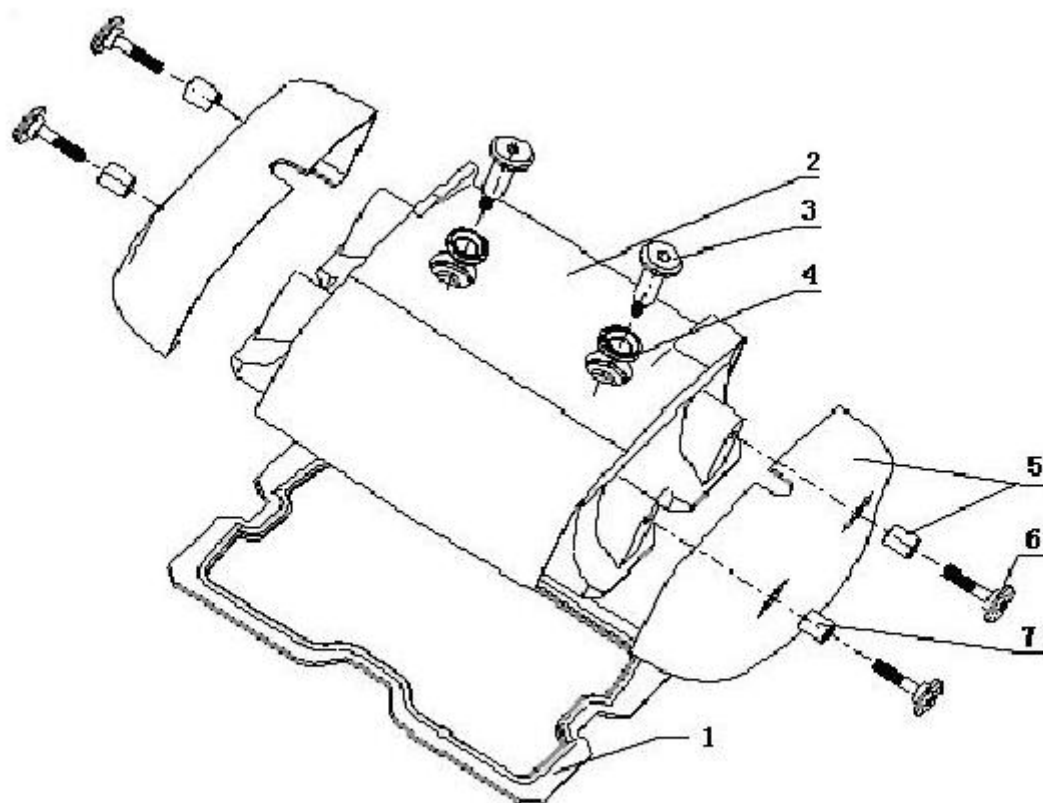
# CYLINDER HEAD



Núm.	Código	Descripción
1	30109K02F000	GUIDE, valve
2	30207K02F000	GUIDE, valve
3	201100.009082	HEAD, cylinder
4	201206.024000	GASKET, cylinder head
5	202100.013000	PIPE, intake RH
6	202100.014000	PIPE, intake LH
7	202104.004472	CLAMP
8	30514K02F000	CLAMP
9	303030601664	BOLT M6×16-10.9
10	201216.008571	BOLT M6×32-10.9
11	301320614582	BOLT M6X145
12	304290600062	NUT M6
13	307991004300	WASHER
14	315125826510	O RING 25.8X2.65
15	30505J01F000	O RING 10X1.6
16	302270500662	SCREW M5X6
17	201204.009000	SPARK PLUG
18	301320606585	BOLT M6 X 65

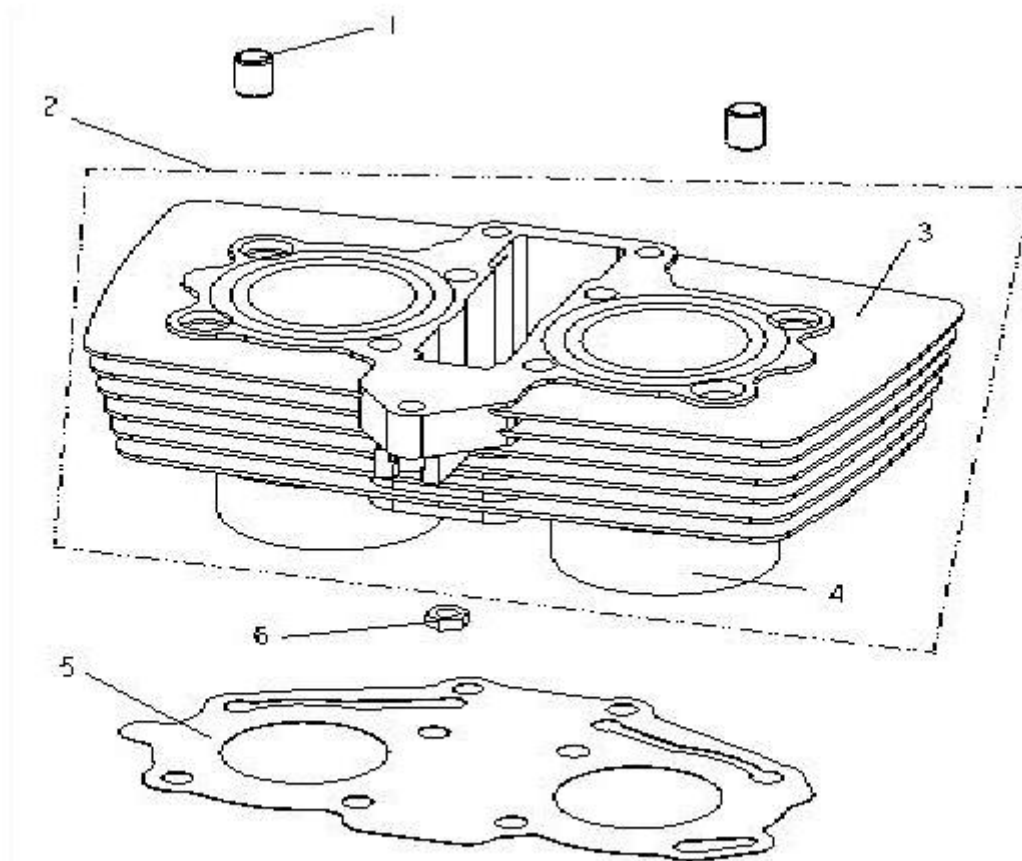


## CYLINDER HEAD COVER



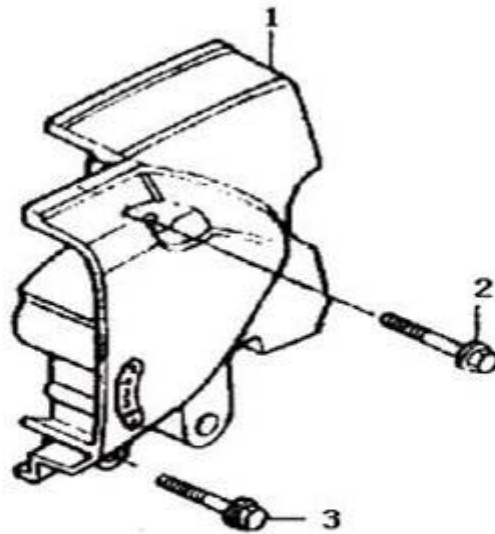
Núm.	Código	Descripción
1	201329.015000	CASRET, CYLINGDER HEAD COVER
2	201300.013472	COVER, CYLINDER HEAD
3	201313.003472	BOLT
4	201330.003000	WASHER
5	201103.001472	SIDE COVER
6	201313.001472	SCREW
7	30721N02F000	BUSH

# CYLINDER



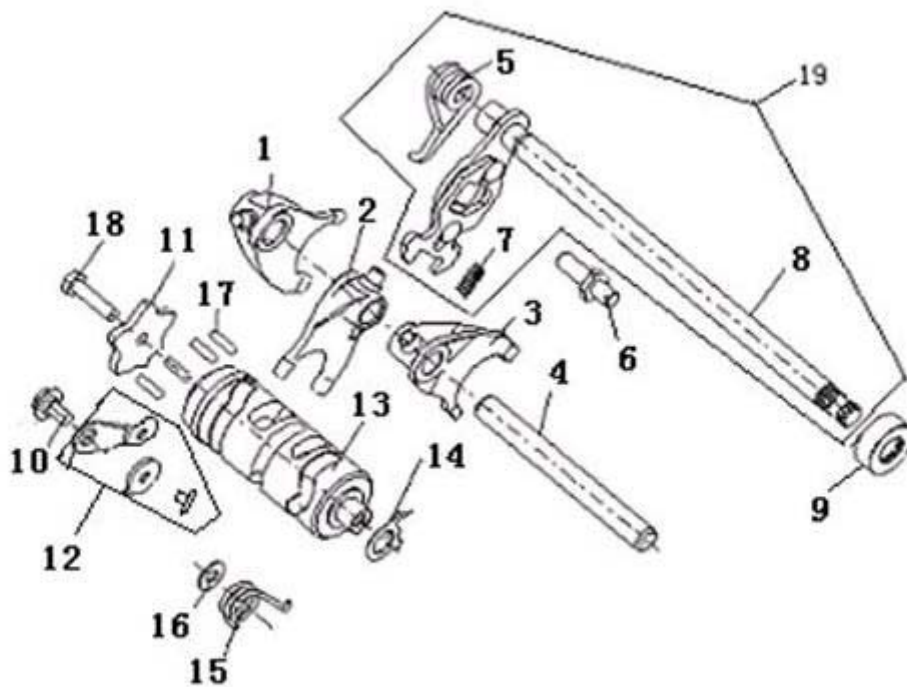
Núm.	Código	Descripción
1	320082100461	DOWEL PIN 10×16
2	204100.012082	CYLINDER ASSY
3	27101N02F000	CYLINDER
4	27106N02F000	BUSH CYLINDER
5	204204.013000	GSKET CYLINDER
6	304210600065	NUT M6

# ENGINE SPROCKET COVER



Num.	Code	Description
1	207201.017472	COVER,ENGINE SPROCKET
2	301310606062	BOLT M6X60
3	301310605562	BOLT M6X55

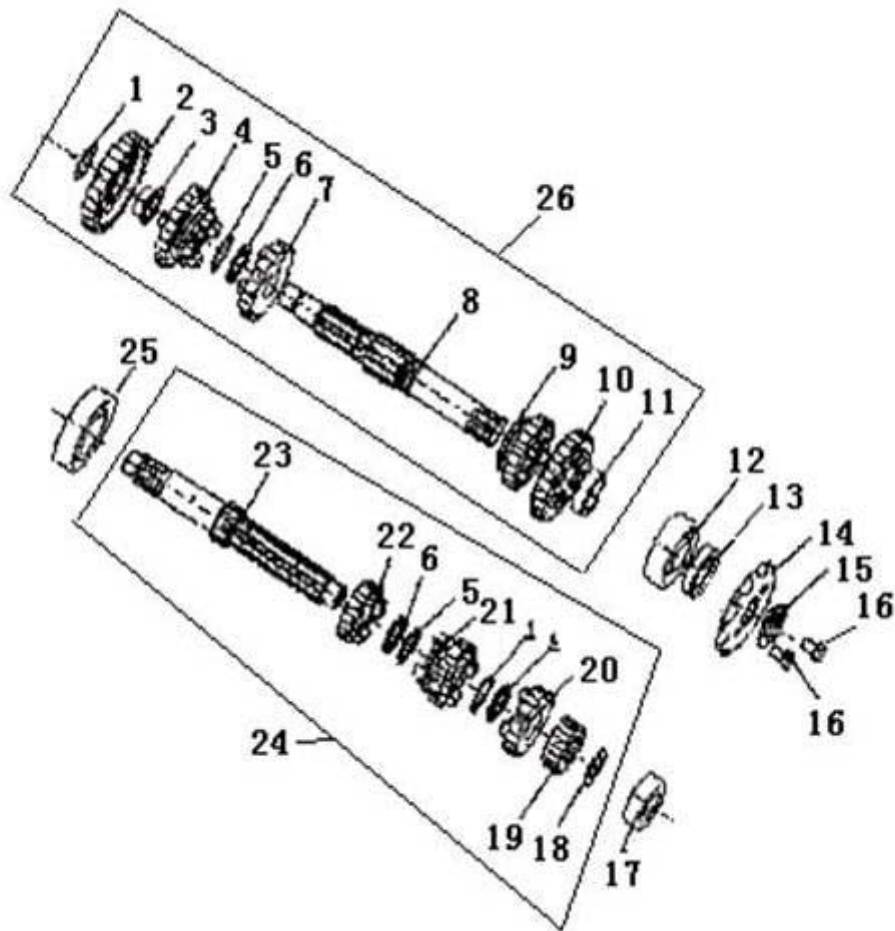
## GEAR SHIFT FORK & DRUM.



Núm.	Código	Descripción
1	210302.016000	FORK, GEAR SHIFT RH
2	210302.012000	FORK, FEAR SHIFT CENTER
3	210302.006000	FORK, GEAR SHIFT LH
4	210303.004000	SHAFT,GEAR SHIFT
5	17701J01F000	SPRING,RETURN
6	206304.004000	SCREW
7	17702K02F930	SPRING
8	17703K02F000	SHAFT GEAR SHIFT
9	317301224101	OIL SEAL 12X24X10
10	210217.002161	BOLT
11	17601K02F000	PLATE, SHIFT CAM STOPPER
12	210218.001000	STOPPER arm
13	210300.006000	CAM, GEAR SHIFT
14	210310.006000	PLATE, NEUTRAL SWITCH
15	210219.003000	SPRING
16	307991001761	WASHER
17	316014013813	PIN 4X13.8
18	301270602062	BOLT M6X20
19	210100.010271	SHAFT GEAR SHIFT ASSY

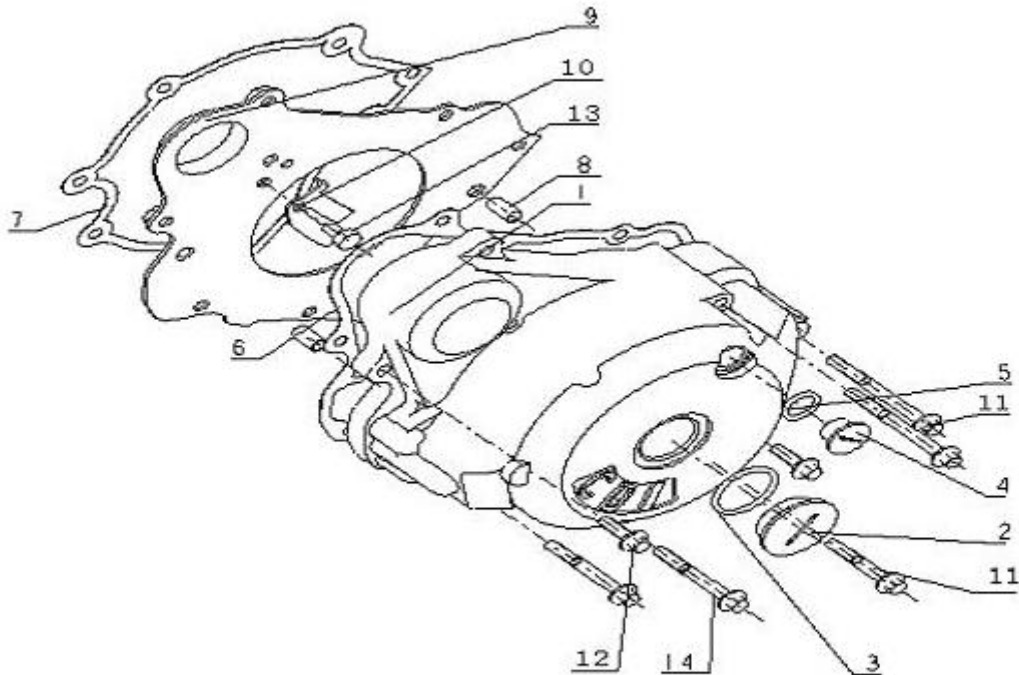


# GEARSHIFT.



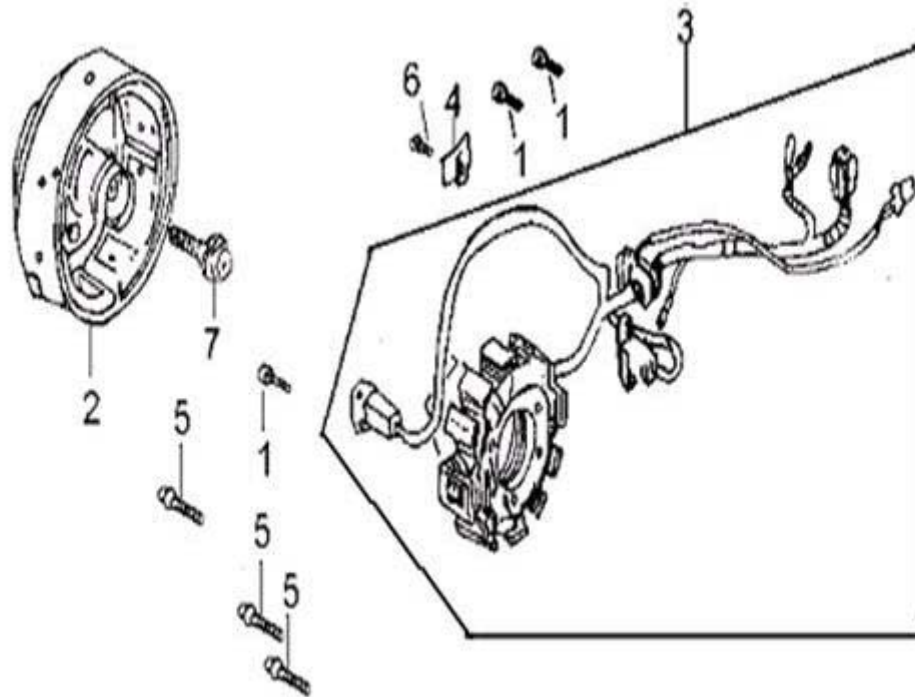
Núm.	Código	Descripción	Núm.	Código	Descripción
1	17323N02F000	WASHERF 15	14	209310.005000	SPROCKET, ENGINE
2	17305N02F000	GEAR, 1ST DRIVEN	15	17212J01F000	WASHER, LOCK
3	17315N02F000	BUSH	16	301270601062	BOLT M6X10
4	17311N02F000	GEAR, 3RD DRIVEN	17	312602020000	BEARING 6202
5	308090200001	CIRCLIP	18	17207N02F000	WASHER
6	17203K02F000	WASHER	19	17202N02F000	GEAR, 2ND DRIVE
7	17312N02F000	GEAR, 4TH DRIVEN	20	17206N02F000	GEAR, 5TH DRIVE
8	17303N02F930	SHAFT, DRIVEN	21	17205N02F000	GEAR, 4TH DRIVE
9	17320N02F000	GEAR, 5TH DRIVEN	22	17204N02F000	GEAR, 3RD DRIVE
10	17309N02F000	GEAR, 2ND DRIVEN	23	17201N02F000	SHAFT, COUNTER
11	17214N02F000	SPACER	24	209101.006000	COUTERSHAFT ASSY
12	312922341400	BEARING 22*47*7	25	312603040000	BEARING 6304
13	317302234071	OIL SEAL 22×34×7	26	209102.007000	SHAFT ASSY,DRIVE

# MAGNETO COVER



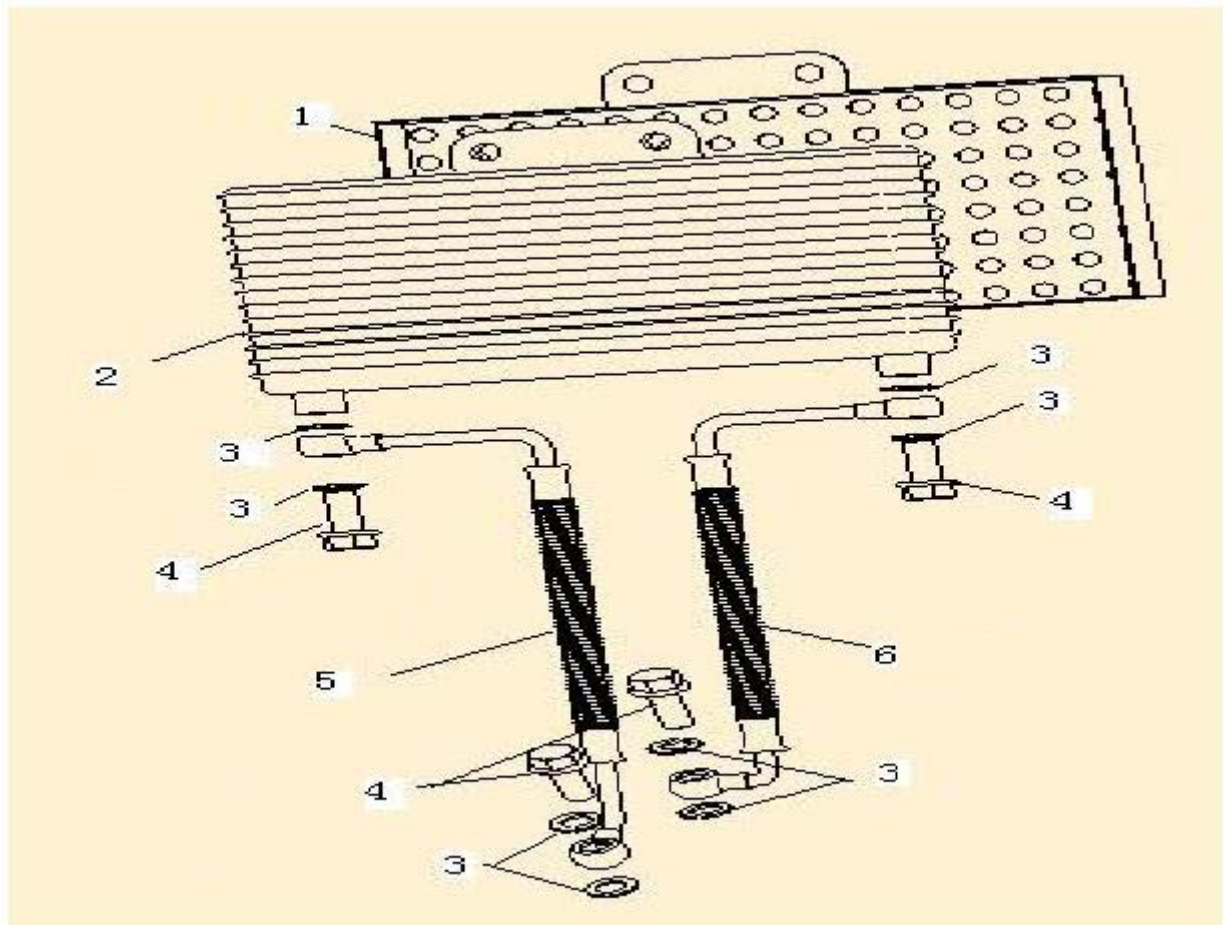
Num.	Code	Description
1	207200.060472	LEFT COVER, CLUTCH
2	207204.003084	PLUG, MAGNETO COVER
3	315128026510	O RING 28×2.65
4	207205.003472	CAP, INSPECTION
5	315113825010	SEAL RING 13.8*2.5
6	207208.004000	GASKET, MAGNETO COVER
7	207210.001000	GASKET, SEPARATOR
8	320066080142	PIN,dowel F8X14
9	207105.001000	PLATE, SEPARRTOR
10	206205.001000	HOLDER, SPROCKET GEAR
11	301310606562	BOLT M6X65
12	301310602062	BOLT AM6X20
13	301310601062	BOLT M6X10
14	301310605062	BOLT M6X50

# MAGNETO



Num.	Code	Description
1	302040601662	SCREW M6X16
2	223101.009000	FLY WHEEL ASSY
3	223102.017000	ROTOR ASSY
4	207213.003000	HOLDER
5	301270502562	BOLT M5X25
6	302270500662	SCREW M5X6
7	201224.004161	BOLT M10X35

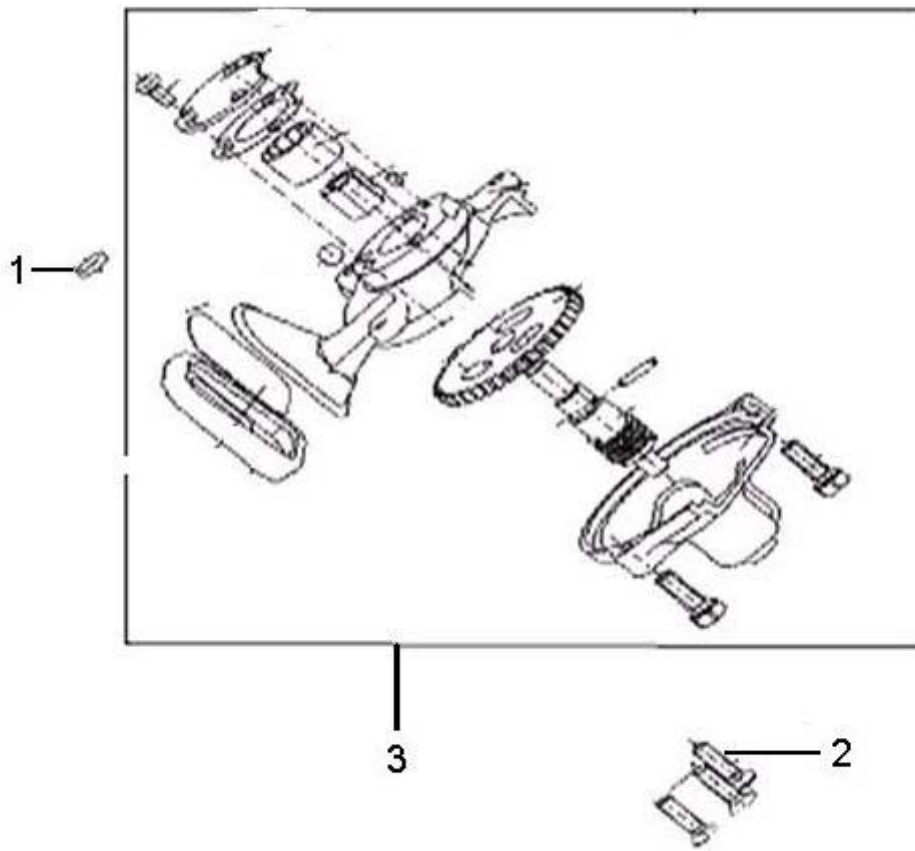
# OIL COOLER



Núm.	Código	Descripción
1	221401.001000	OIL COOLER, COVER
2	221403.003000	OIL COOLER
3	307992009920	GASKET,DRAIN PLUG
4	206315.002000	BOLT,OIL PASSAGE
5	221116.021000	OIL COOLER I
6	221116.022000	OIL COOLER II

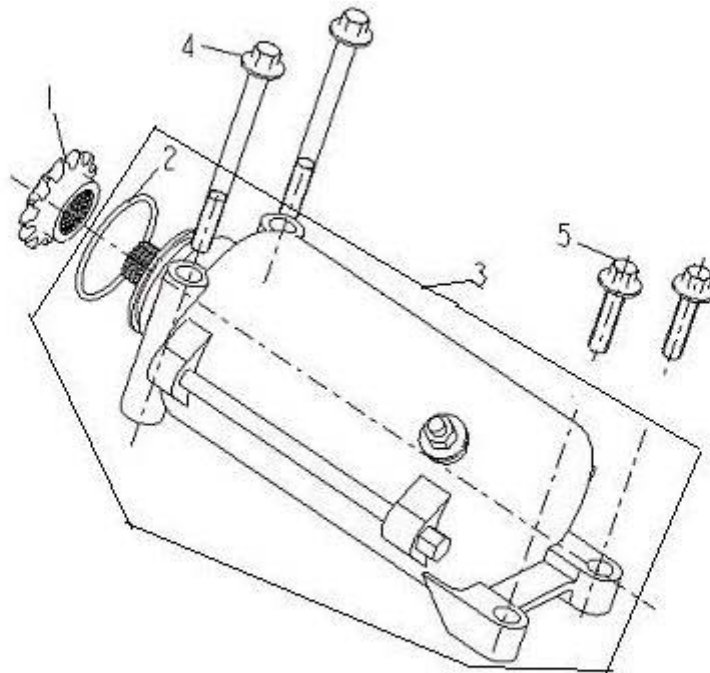


## OIL PUMP.



Núm.	Código	Descripción
1	19214K02F000	O RING 7.1X2.65
2	302220603062	SCREW M6X30-ZND
3	219100.007000	OIL PUMP ASSY

## STARTING MOTOR.



Num.	Code	Description
1	218212.001000	GEAR
2	34254K02F000	O RING 33×2
3	218100.012000	MOTOR ASSY STARTING
4	301310606565	BOLT M6X65
5	301310602565	BOLT (M6X25)